

## Turntables Manual and Airmotor Driven

**WARNING:** Read instructions for proper care in handling and operation. Use in Well Ventilated Area to remove fumes, dust and overspray from materials being sprayed. Consult the Material Safety Data Sheet supplied for the spray material. Follow all safety precautions. Secure airhose wrench tight for safety.  
**Maximum Air Pressure 100 P.S.I.**

### AIRMOTOR TURNTABLES – 14" Diameter Aluminum Top:

The 8-14" Turntable is furnished with a stand as shown on the TH-12" and TH-24" Manual Turntables below and on the second page. Speed control valve and oiler are standard. Speeds are adjustable from 5 to 25 R.P.M. Maximum capacity: 100 lbs.  
Note: Pedestal Type turntable is adjustable from 24" to 34" high.

#### Bench Type

- 4-14"CCW Counter Clockwise Rotation (Standard)
- 4-14"CW Clockwise Rotation
- 4-14"REV Reversible Rotation
- Shipping Weight: 66 lbs. (29.7kg)

#### Pedestal Type

- 8-14"CCW Counter Clockwise Rotation (Standard)
- 8-14"CW Clockwise Rotation
- 8-14"REV Reversible Rotation
- Shipping Weight: 107 lbs. (48.15kg)

Hand and foot valves to actuate Airmotor Turntables are an available option. Hand valves are for counter-clockwise, clockwise, or reversible operation. Foot valves are for clockwise or counter-clockwise intermittent use.

### AIRMOTOR TURNTABLES – 12" Diameter Steel Top:

These airmotor driven turntables have variable speed with adjustment from 30 to 150 R.P.M. An optional foot valve can be used for operating the turntable intermittently. The top is made of flanged steel. Automatic oiler and noise muffler are standard. Maximum capacity: 100 lbs.

#### 9" High

- F59-12-9 Clockwise Rotation (Standard)
- F59-12-9CCW Counter Clockwise Rotation
- Shipping Weight: 25 lbs. (11.25kg)

#### 24" High

- F59-12-24 Clockwise Rotation (Standard)
- F59-12-24CCW Counter Clockwise Rotation
- Shipping Weight: 72 lbs. (32.4kg)

### MANUAL TURNTABLES – 12" and 24" Diameter Tops:

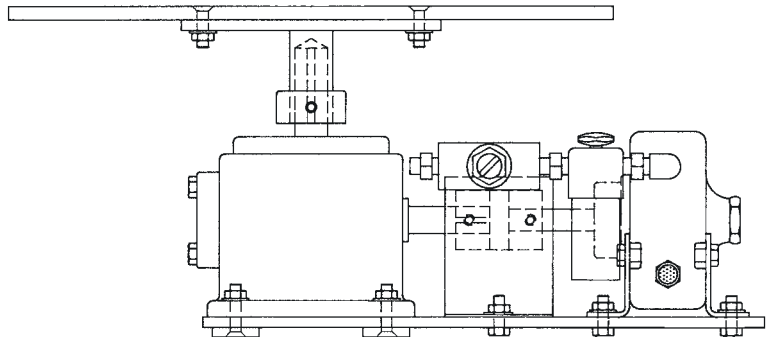
These manually operated turntables have many uses and are convenient for turning various objects. Made in adjustable and fixed heights for both floor and bench type spray booths. They provide the ideal means for handling work during coating operation. Flanged steel tops with rugged base insure stability. Maximum capacity: 100 lbs.

- TL-12" Fixed Height – 12" Diameter (Weight: 8 lbs.- 3.6kg)
- TL-24" Fixed Height – 24" Diameter (Weight: 12 lbs.- 5.5kg)
- TH-12" Adjustable Stand (21" to 35") 12" Diameter
- Shipping Weight: 22 lbs. (10kg)
- TH-24" Adjustable Stand (21" to 35") 24" Diameter
- Shipping Weight: 32 lbs. (14.5kg)

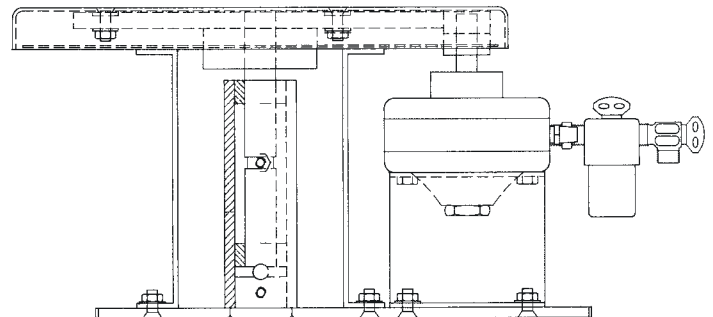
Note: All Shipping Weights are approximate.

#### Paasche Airbrush Company

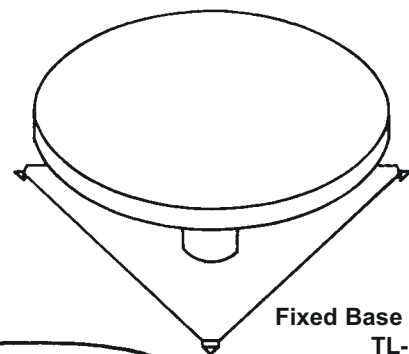
7440 West Lawrence Avenue  
Harwood Heights, Illinois 60706-3412  
Phone: 708/867-9191 • Fax: 708/867-9198  
Website: [paasche.thomasregister.com](http://paasche.thomasregister.com)  
E-Mail: [paascheair@aol.com](mailto:paascheair@aol.com)



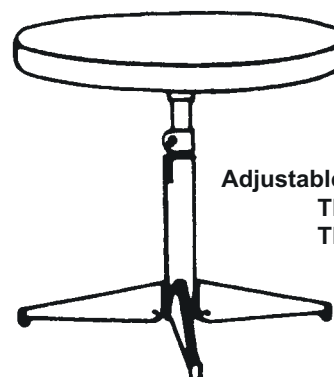
Airmotor Model: 4-14"CCW



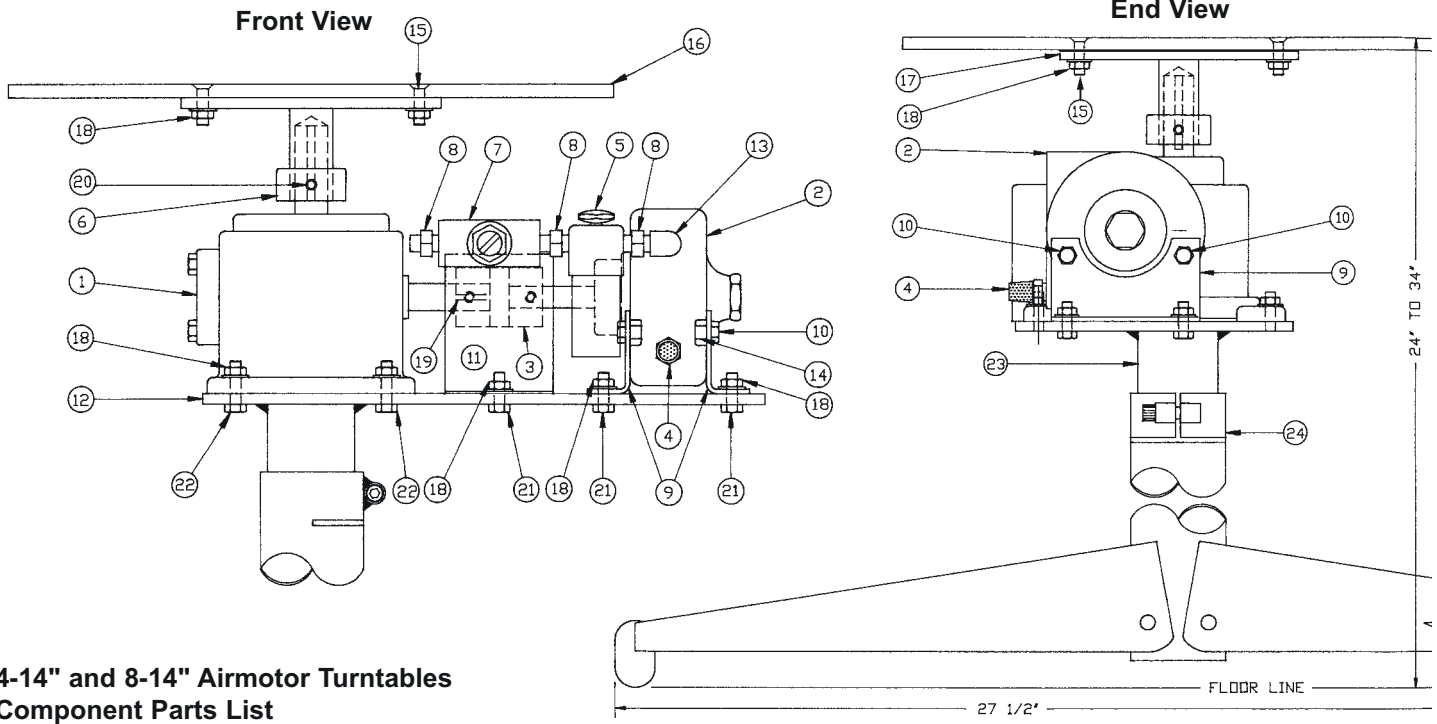
Airmotor Model: F59-12-9



Fixed Base Models:  
TL-12"  
TL-24"



Adjustable Stand Models:  
TH-12"  
TH-24"

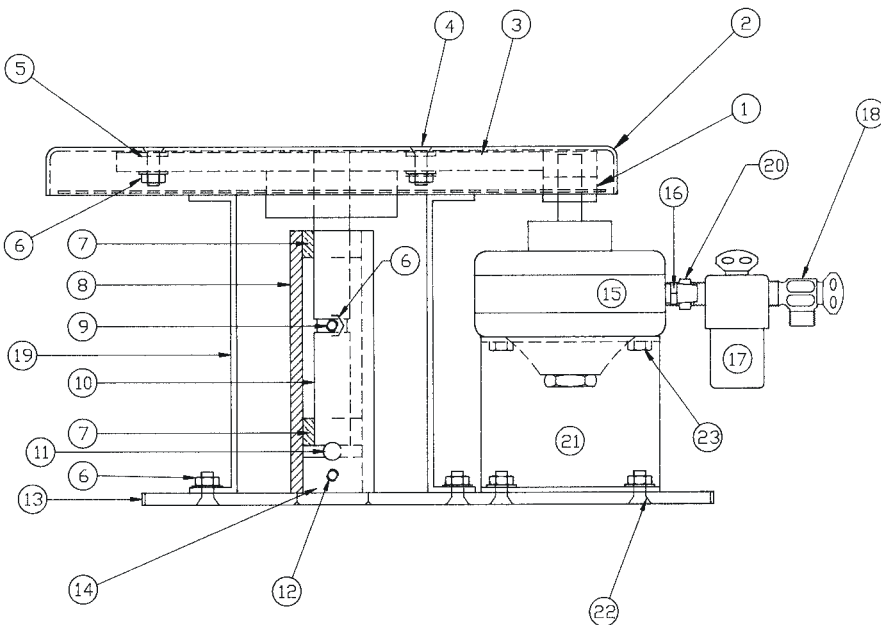


**4-14" and 8-14" Airmotor Turntables  
Component Parts List**

No.	Part No.	Description	No.	Part No.	Description	No.	Part No.	Description
1.	913DV-60-RU	Speed Reducer	9.	F793-596-13	Bracket (2)	17.	T-319-3/4"	Hub Assembly
2.	A#2	Airmotor CCW	10.	1/4"-28X1"H	Hex Hd. Cap Screw (4)	18.	1/4"-20K	Keyp Nut (10)
3.	L070-1/2X5/8	Flexible Coupling	11.	SM-1236	Guard	19.	BE-141	Key
4.	M-9	Muffler	12.	T-316-13A	Base Plate	20.	T-352	Dog Point Set Screw
5.	M-10	Oiler	13.	HFL-1/4"	90 Elbow	21.	1/4"-20X3/4"H	Hex Hd. Cap Screw (6)
6.	3100	1" B. Die Cast Collar	14.	T-309	Spacer (4)	22.	1/4"-20X1"H	Hex Hd. Cap Screw (4)
7.	3250A	Speed Control Valve	15.	D-79	Socket Cap Screw (4)	23.	T-317-20"	Tube
8.	HF-33	Coupler (3)	16.	T-320	1/4" Dia. Alum. Plate	24.	T-330	Base Assembly

**F59-12-(9 or 24)**

**F59-12-9 and F59-12-24 Airmotor  
Turntables - Component Parts List**



No.	Part No.	Description
1.	T-294A	Spur Gear
2.	T-283	12" Dia. Table Top
3.	T-293A	Spur Gear
4.	D-79	Socket Cap Screw (3)
5.	T-296	Spacer (3)
6.	1/4"-20K	Keyp Nut (10)
7.	T-289	Bearing (2)
8.	T-298	Shaft Housing
9.	1/4"-20X3/4"A	Allen Cup Point Set Screw
10.	T-287	Turntable Shaft
11.	3/8"BB	Stainless Ball Bearing
12.	1/4"-20X1/4"A	Allen Cup Point Set Screw
13.	T-284	Turntable Base
14.	T-297	Plug
15.	A#2	Airmotor CCW
16.	M-9	Muffler
17.	M-10	Oiler
18.	ANV-2	1/4" Needle Valve
19.	T-350	Guard
20.	HF-33	Coupler
21.	T-285	Airmotor Mtg. Brackets (2)
22.	1/4"-20X5/8"FS	Flat Hd. Socket Cap Screw (6)
23.	1/4"-28X1"H	Hex Hd. Cap Screw (4)