

R-75AR Regulator and Filter Instructions

WARNING: Maximum primary air pressure 150 p.s.i. Temperature Range 40°F to 125°F. Accurate regulation between 2 and 60 p.s.i.

INSTALLATION, OPERATION and MAINTENANCE

WARNING! The polycarbonate plastic material used to manufacture the plastic bowls may be attacked by certain chemicals. Do not use this filter system with air supplied by a compressor lubricated with synthetic oils or oils containing phosphate esters or chlorinated hydrocarbons. These oils can carry over into the air lines and chemically attack and possibly rupture the bowl. Also, do not expose the bowl to materials such as carbon tetrachloride, trichlorethylene, acetone paint thinner, cleaning fluids, or other harmful materials, for they too will cause the plastic to craze and/or rupture. For use in environments where any of these chemicals may be present, consult the factory.

INSTALLATION:

Install in vertical position with air supply connected to the **in** port stamped on body of unit. Before piping-in, blow out line to remove scale and other foreign matter. If pipe compound is used apply only to male threads and just enough to make tight connections.

MAINTENANCE:

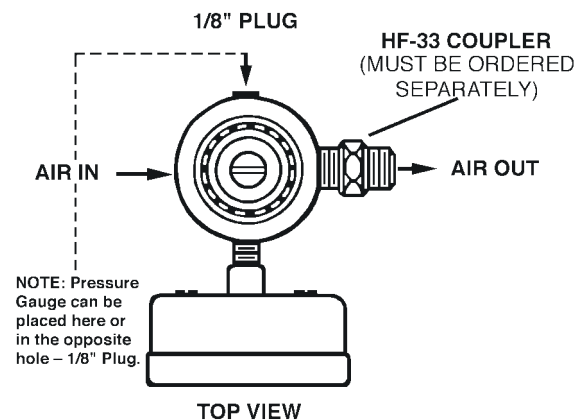
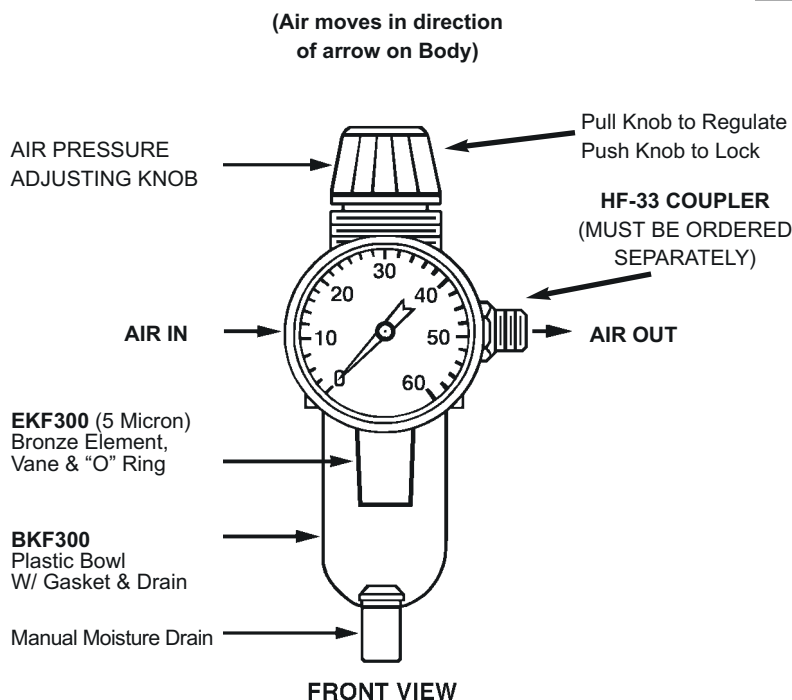
To obtain best efficiency and longest periods of trouble-free operation the air supply must be kept clean as dirt is the most common cause of erratic regulator operation. Only a few parts require occasional replacement most troubles can be cured and prevented by a thorough and careful cleaning procedure. To clean it is not necessary to remove unit from its piping or line. At the bottom of the bowl is a drain valve which should be periodically opened (turn clockwise) particularly when sediment is visible in bowl.

DISASSEMBLY FOR CLEANING:

Depressurize the air line, unscrew and remove the bowl. Unscrew the filter element and let down the vane plate and bottom spring. If the O-ring on the filter element appears worn or nicked, it should be replaced. Reassemble the unit in the same order, making sure the bottom spring fits over the bottom of the valve assembly. Tighten the filter element and bowl slightly more than hand tight.

CLEANING:

For best results clean parts (*EXCEPT BOWL*) with alcohol. After cleaning blow out parts including body of unit with compressed air. The filter cone should be blown out from the inside, plugging one end with finger. **Plastic bowl must be cleaned with household soap only!**



Paasche Airbrush Company

7440 West Lawrence Avenue
Harwood Heights, IL 60706-3412

Phone: 708/867-9191 • Fax: 708/867-9198

Websites: paascheairbrush.com and
paasche.thomasregister.com or E-Mail: paascheair@aol.com