

## HSSB Hobby-Shop Spray Booth

OPERATING INSTRUCTIONS AND REPLACEMENT PARTS  
(115 Volts, 60 Cycle, 1.5 AMPS)

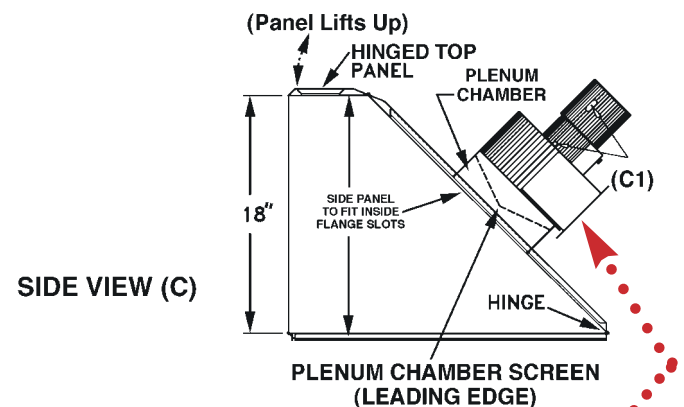
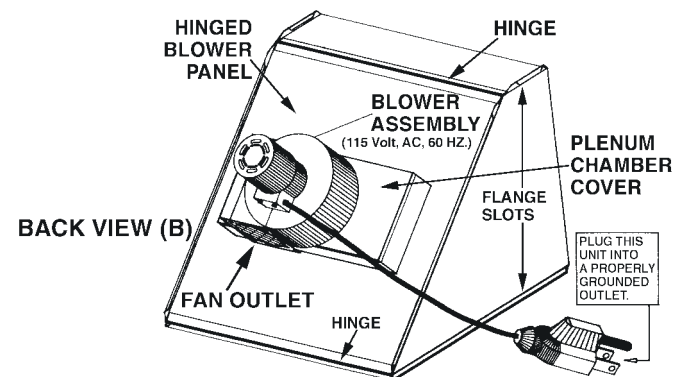
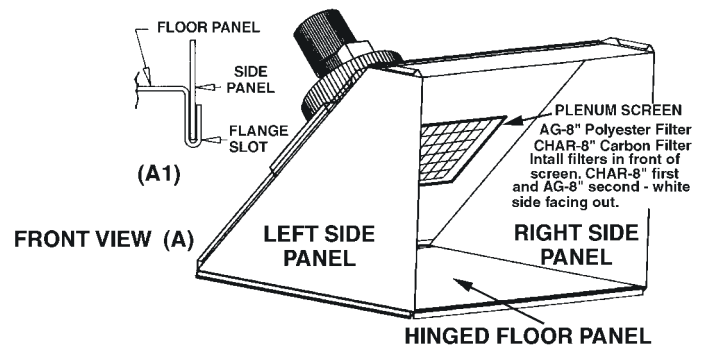
### ASSEMBLY INSTRUCTIONS:

1. Place spray booth on a sturdy stable surface larger than its base (24" x 24") and capable of supporting 30lbs. or more.
2. Unfold the spray booth by lifting up on the panel with attached blower to expose the insertion flange slots on both the base and blower panels. The insertion slots are on the left and right side of each panel. (Illustration B)
3. Place the left side panel and right side panel on the spray booth so that the 18" side of the triangle forms the front (opposite the hinges) of the spray booth. (Illustrations B and C) Each of these panels should fit snugly into the slots on the left and right side of the base and should be placed even with the front of the base. (See Illustration A1)
4. Fold the hinged top section over the right and left panels of the booth so the slots on the hinged section line up with the left and right panels. Fit the right and left panels into the flange slots of the hinged top section. (Illustration C)
5. Insert the plenum chamber screen from the front of the spray booth so the leading edge of the screen is pointed out at the front of the booth (Illustration C).
6. First insert the CHAR-8" Carbon filter (black) from the front of the spray booth and then the AG-8" Polyester filter, **colored side first**, into the plenum chamber so they are secured by the outer perimeter of the inlet to the plenum chamber (Illustration A). Your spray booth is now complete.

### CAUTIONS:

1. Do not use this equipment in explosive atmospheres.
2. Plug the unit into 3 hole properly grounded outlet. Always disconnect the unit before assembly or disassembly.
3. Do not operate the unit near running water or a wet surface. Avoid any type of exposure of the motor to direct moisture.
4. Be careful when touching the exterior of the motor, it may be hot enough to be painful or cause injury.
5. Protect the power cable from coming into contact with sharp edges, oil, grease, hot surfaces or chemicals.
6. Wiping or cleaning rags and other flammable waste materials must not be used near the motor when operating. Waste materials must be disposed of in a proper fashion.
7. Do not remove the SM-1317 Fan Outlet Guard on the blower. The blower wheel is sharp and can cause serious injury if contacted while running. Use SM-1317 Fan Outlet Guard for exhausting to the outside. Install 1/8"x1/2" Foam Gasket around Fan Housing outlet to seal SM-1317 to housing.
8. This unit is intended to remove larger particles from the air when painting small objects such as models and pottery. It will not remove all hazardous material from the air so caution should be taken when spraying materials that have strong vapors or harmful chemicals. **When required, wear protective paint and vapor mask and vent the unit to the outside atmosphere. Change booth filters frequently.**
9. RECOMMENDED LUBRICATION: Apply (1) drop of oil into each of the (2) oil holes (C1), located on the Blower Motor, every six (6) months. This Booth provides approximately 70 to 80 L.F.M. with SM-1317 Fan Outlet Guard installed.

**WARNING:** Spray materials may be harmful if inhaled or allowed to come into contact with the skin or eyes. Consult the product label and Material Safety Data Sheet supplied for the spray material. Follow all safety precautions. Use HSSB to create a Well Ventilated Area to remove fumes, dust or overspray. Exhaust to the outside. Change filters frequently and dispose of in a safe manner. **SM-1317 Fan Outlet Guard Must Be Installed At All Times.**



**WARNING**  
**SM-1317**  
**FAN OUTLET**  
**GUARD MUST**  
**BE INSTALLED**

