

D500 AIR COMPRESSOR

OIL-LESS DIAPHRAGM AIR COMPRESSOR
NEEDS NO LUBRICATION

(115 VOLT, 60 CYCLE, 3 AMPS., 1/10 H.P.)

The **D500 Air Compressor** is suitable for all airbrushes spraying properly thinned fluids. This is the most economical Air Compressor Paasche offers to the art, hobby and craft fields. It is capable of delivering up to 40 lbs. air pressure, is an oil-less diaphragm unit and comes with 3 wire cord. The **D500** is 1/10 H.P. and operates on 115 Volts, 1 Phase, 60 Cycle, 3 AMPS, and delivers .5 C.F.M. at 20 P.S.I.

INSTRUCTIONS:

BEFORE OPERATING COMPRESSOR, READ AND FOLLOW DIRECTIONS AS OUTLINED BELOW.

1. Assemble No. 25 (D535 Bleeder Valve) to Air Outlet Port in position as shown on drawing and tighten securely with Knurled Stem facing up.
2. Open Bleeder Valve by turning Hex Nut, then Knurled Stem counterclockwise, approximately two turns, this prevents compressor from having to start under load. DO NOT close Bleeder Valve completely as Compressor may not start under pressure.
3. Set Compressor on floor. Compressor vibrates and may "walk" off elevated surfaces, possibly causing damage to unit or injury to you.
4. Plug cord into 115 V., 60 Cy., grounded outlet.

GROUNDING INSTRUCTIONS:

This product should be grounded. In the event of an electrical short circuit, grounding reduces the risk of electrical shock by providing an escape wire for the electric current. This product is equipped with a cord having a grounding wire with an appropriate grounding plug. The plug must be plugged into an outlet that is properly installed and grounded in accordance with all local codes and ordinances.

DANGER—Improper use of the grounding plug can result in a risk of electrical shock.

Paasche Airbrush Company

7440 West Lawrence Avenue
Harwood Heights, IL 60706-3412
Phone: 708/867-9191 • Fax: 708/867-9198

Websites: paascheairbrush.com and
paasche.thomasregister.com or E-Mail: paascheair@aol.com

WARNING: When a flammable liquid is sprayed, there may be danger of fire or explosion especially in a closed room: keep compressor at least 20 feet away from areas where hazardous concentrations of flammable vapors are likely to occur. Disconnect power before servicing.
ATTENTION: Lorsqu'un liquide inflammable est pulvérisé, il peut y avoir danger d'incendie ou d'explosion, spécialement dans une pièce fermée; garder le compresseur à au moins 20 pieds des endroits où des concentrations dangereuses de vapeurs inflammables sont susceptibles de se produire. Débrancher avant toute maintenance.

If repair or replacement of the cord or plug is necessary, do not connect the grounding wire to either flat blade terminal. The wire with insulation having an outer surface that is green with or without yellow stripes is the grounding wire.

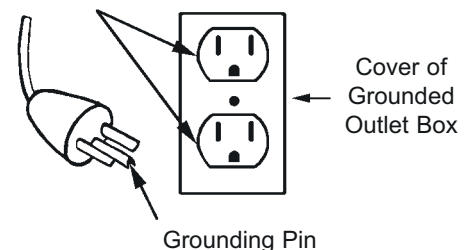
Check with a qualified electrician or serviceman if the grounding instructions are not completely understood, or if in doubt as to whether the product is properly grounded. **DO NOT** modify the plug provided; if it will not fit the outlet, have the proper outlet installed by a qualified electrician.

This product is for use on nominal 120-volt circuit and has a grounding plug that looks like the plug illustrated in sketch below. Make sure that the product is connected to an outlet having the same configuration as the plug. No adapter should be used with this product.

EXTENSION CORDS:

Use only a 3-wire extension cord that has a 3-blade grounding plug, and a 3-slot receptacle that will accept the plug on the product. Make sure your extension cord is in good condition. When using an extension cord, be sure to use one heavy enough to carry the current the product will draw. An undersized cord will cause a drop in line voltage resulting in loss of power and overheating.

GROUNDING METHOD Grounded Outlet



Paasche D500 Air Compressor



SERVICE: Before returning D500 unit for service carefully read and follow instructions.

If compressor should begin to pump less air, check six Head Screws #13 and tighten if necessary. Check Exhaust Reed #9 and Intake Reed #8 for damage and proper position over holes in Valve Plates #5 and #6. When replacing parts, make sure to reassemble properly. Normal operating temperature of compressor is 150°- 160°F. **Any electrical servicing should be done by the Factory.**

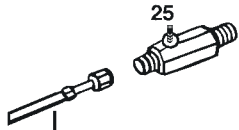
AUTOMATIC THERMAL LIMITED

The D500 Compressor will shut off automatically when overheated. To restart, release air pressure and let Compressor cool down.

D500 Less On/Off switch is CSA Approved.

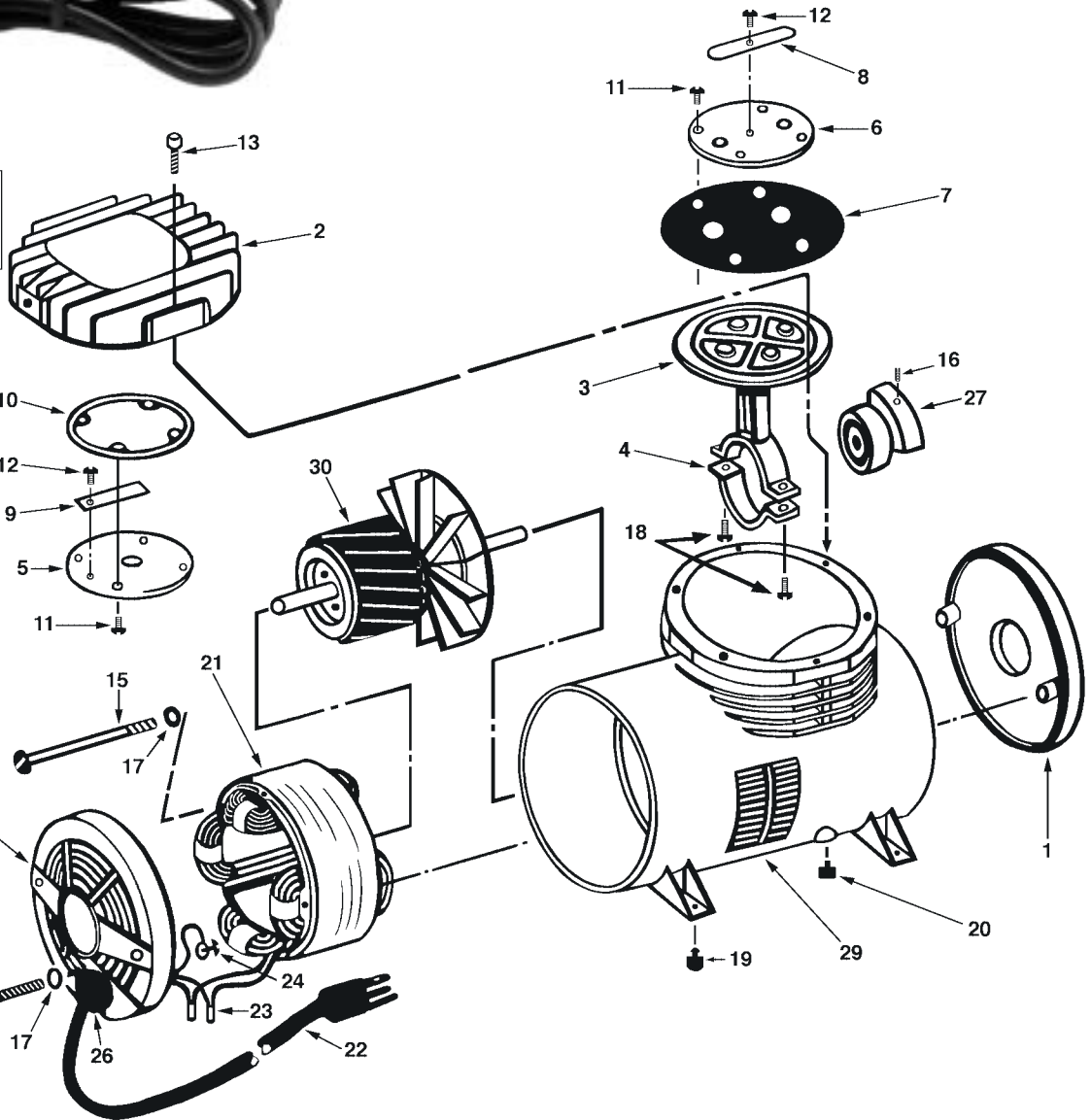
D500S With On/Off switch is not CSA Approved.

ITEM 25 MUST BE INSTALLED BEFORE OPERATION AND SET TO CONSTANT AIR BLEED. NEVER RUN COMPRESSOR WITH VALVE CLOSED.



Airhose to Airbrush (Not Included)

- | No. - | Part No. - | Description |
|-------|------------|--------------------|
| 1. | D502 | Front Cap |
| 2. | D504 | Head |
| 3. | D505 | Connecting Rod |
| 4. | D506 | Rod Cap |
| 5. | D509 | Top Valve Plate |
| 6. | D510 | Bottom Valve Plate |
| 7. | D511 | Diaphragm |
| 8. | D512 | Intake Reed |



- | No. - | Part No. - | Description |
|-------|------------|-------------------------|
| 9. | D513 | Exhaust Reed |
| 10. | D514 | Top Plate Gasket |
| 11. | D515 | Valve Plate Screw (8) |
| 12. | D516 | Reed Screw (2) |
| 13. | D517 | Head Screw (6) |
| 14. | D518 | Cap Retaining Screw (2) |
| 15. | D519 | Stator Screw (2) |
| 16. | M-44 | Counter Weight Screw |

- | No. - | Part No. - | Description |
|-------|------------|-------------------------------|
| 17. | D521 | Cap Split Lock Washer (4) |
| 18. | D523 | Rod Screw (2) |
| 19. | D524 | Rubber Foot (4) |
| 20. | D525 | Plug Bushing (2) |
| * 21. | D526 | Motor Stator 115V., 60 Cy. |
| 22. | D528 | Electric Cord |
| 23. | D529 | Insulated Crimp Connector (2) |
| 24. | D530 | Ground Wire Screw |

- | No. - | Part No. - | Description |
|-------|------------|---------------------------------|
| 25. | D535 | Bleeder Valve |
| 26. | D539 | Cord Strain Relief |
| 27. | D540 | Counter Weight & Rod Brg. Assy. |
| 28. | D541 | Rear Cap & Brg. Assy. |
| 29. | D501 | Housing Painted w/Bearing |
| * 30. | D543 | Shaft, Rotor & Fan Assy. |

* These items require factory installation!