

Cup & Bottle Assemblies

INSTRUCTIONS AND REPLACEMENT PARTS

Screw Cover Siphon Jar Assemblies:

Jar Assemblies are used for quick change of colors on jobs where materials are used in small quantities. Paasche offers containers of many sizes for a wide variety of uses.

- AU, AUT & A-JU Spray Guns have 1/4" Fluid Connection.
- BU, CU, D2U, 211 & 300 have 3/8" Fluid Connections.

AU & AUT SPRAY GUNS with 1/4" Fluid Inlet:

40SCJ QUART SIPHON JAR ASSEMBLY— 32 oz. (.946 l)

No.	Part Number	Description
1.	UA-2398-9-1/8"	Tube Assembly
2.	UB-1538	Cover
3.	U-879	Locknut
4.	3-GT	Gasket
5.	40J	Quart Jar

41SCJ PINT SIPHON JAR ASSEMBLY— 16 oz. (.473 l)

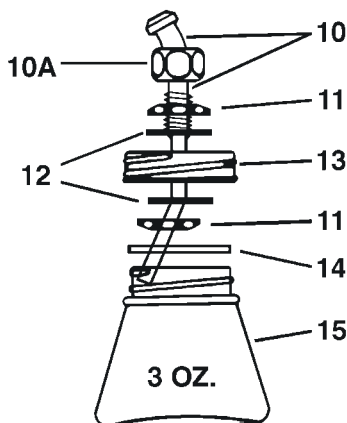
1.	UA-2398-7-1/4"	Tube Assembly
2.	UB-1538	Cover
3.	U-879	Locknut
4.	3-GT	Gasket
5.	41J	Pint Jar

42SCJ HALF PINT SIPHON JAR ASSEMBLY— 8 oz. (.237 l)

1.	UA-2398-5-3/4"	Tube Assembly
2.	UB-1538	Cover
3.	U-879	Locknut
4.	3-GT	Gasket
5.	42J	Half Pint Jar

43SCJ 3 OUNCE SIPHON JAR ASSEMBLY—3 oz. (88cc)

10.	U-3231	Tube & Neck Assembly
10A.	N-1/4"	Nut Plated
11.	U-3226	Locknut (2)
12.	U-3389	Flange (2)
13.	U-3390-1	Cover
14.	3-JG	Gasket
15.	H-108	3 Ounce Jar



WARNING: Spray materials may be harmful if inhaled or allowed to come into contact with the skin or eyes. Consult the product label and Material Safety Data Sheet supplied for the spray material. Follow all safety precautions.
CAUTION: Well Ventilated Area Required to remove fumes, dust or overspray. **Siphon Jars (Glass) must never be pressurized.** Pressure feed Cup Assemblies (Aluminum) must never exceed 25 P.S.I.

BU, CU, D2U, 211 & 300 SPRAY GUNS with 3/8" Fluid Inlet:

44SCJ QUART SIPHON JAR ASSEMBLY— 32 oz. (.946 l)

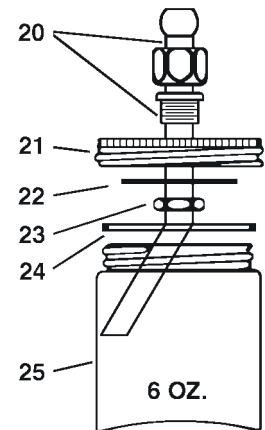
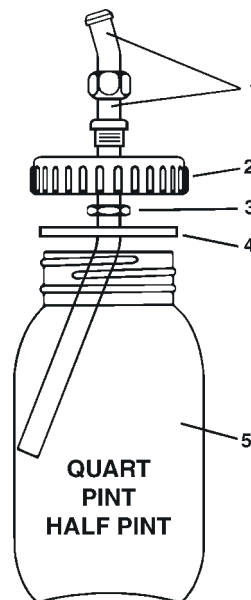
No.	Part Number	Description
1.	U-992-9"	Tube Assembly
2.	UB-1538	Cover
3.	U-879	Locknut
4.	3-GT	Gasket
5.	40J	Quart Jar

45SCJ PINT SIPHON JAR ASSEMBLY— 16 oz. (.473 l)

1.	U-992-7	1/8" Tube Assembly
2.	UB-1538	Cover
3.	U-879	Locknut
4.	3-GT	Gasket
5.	41J	Pint Jar

47SCJ 6 OUNCE SIPHON JAR ASSEMBLY— 6 oz. (.177 l)

20.	U-992-4	5/8" Tube Assembly
21.	DB-46	6 Ounce Cover
22.	DB-47	Stiffener
23.	U-879	Locknut
24.	6-JG	Gasket
25.	47J	6 Ounce Jar



Paasche Airbrush Company

7440 West Lawrence Avenue

Harwood Heights, Illinois 60706-3412

Phone: 708/867-9191 • Fax: 708/867-9198

Website: paasche.thomasregister.com; E-Mail: info@paascheairbrush.com

PAASCHE Siphon and Gravity-Pressure Feed Cup Assemblies

Siphon & Gravity Pressure Feed Cups:

Faster application of viscous materials is possible with pressure fed cups, versus standard siphon or gravity cups. Regulate air pressure in the cup by turning the Control Screw on the **U-3192A** clockwise until desired pressure registers on the cup Gauge **GB-1-1/2"**.

CAUTION: NEVER EXCEED 25 P.S.I., OR USE GLASS CONTAINERS WITH PRESSURE.

BU, CU, D2U, 211 & 300 SPRAY GUNS- 3/8" Fluid Inlet:

52P QUART SIPHON CUP ASSEMBLY- 32 oz. (.946 l)

No.	Part Number	Description
1.	U-992-7	1/8" Tube Assembly
2.	U-3204	Cover
3.	U-879	Locknut
4.	3-GT	Gasket
5.	20SCC	Quart Cup Assembly
	U-3205A	Check Valve Assembly
	U-3192A	Pressure Valve Assembly
	T-02-5/32"	Tubing

53P QUART GRAVITY CUP ASSEMBLY- 32 oz. (.946 l)

6.	U-3182	Cover
7.	3-GT	Gasket
8.	31SCC	Quart Cup and Boss
	U-3205A	Check Valve Assembly
	U-3192A	Pressure Valve Assembly
	T-02-5/32"	Tubing

AU SPRAY GUNS with 1/4" Fluid Inlet:

50P QUART SIPHON CUP ASSEMBLY- 32 oz. (.946 l)

No.	Part Number	Description
1.	UA-2398-7-1/4"	Tube Assembly
2.	U-3204	Cover
3.	U-879	Locknut
4.	3-GT	Gasket
5.	20SCC	Quart Cup Assembly
	U-3205A	Check Valve Assembly
	U-3192A	Pressure Valve Assembly
	T-02-5/32"	Tubing

51P QUART GRAVITY CUP ASSEMBLY- 32 oz. (.946 l)

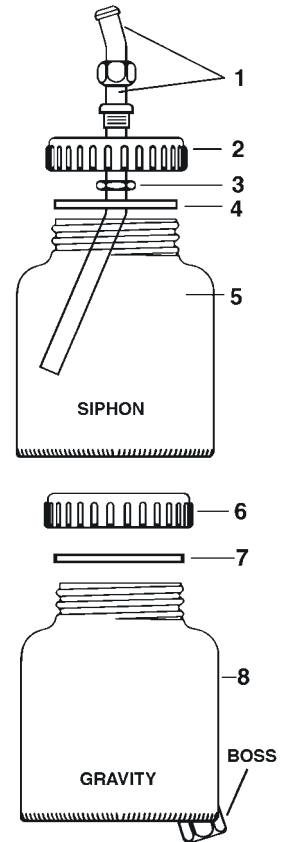
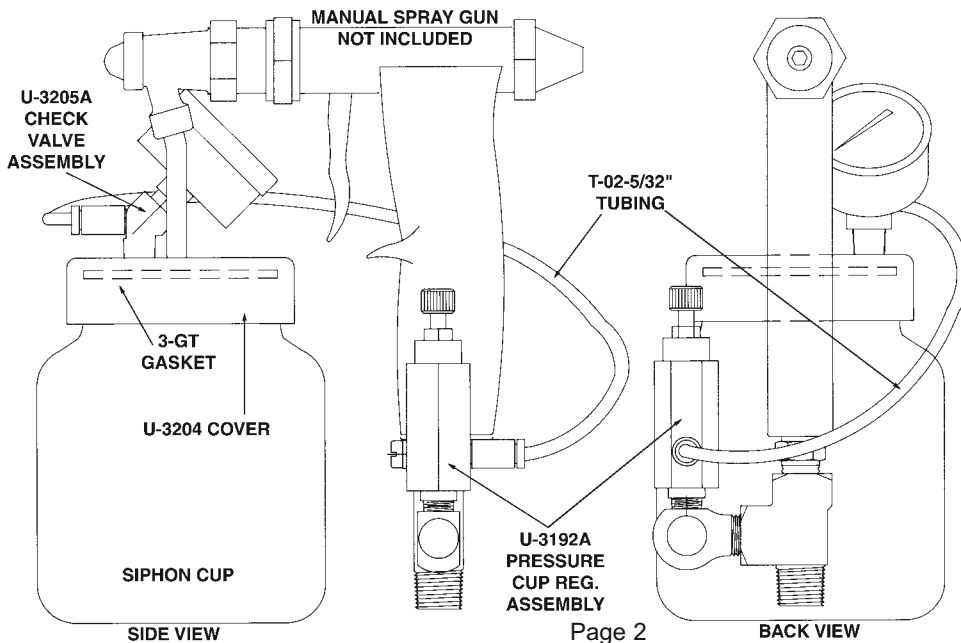
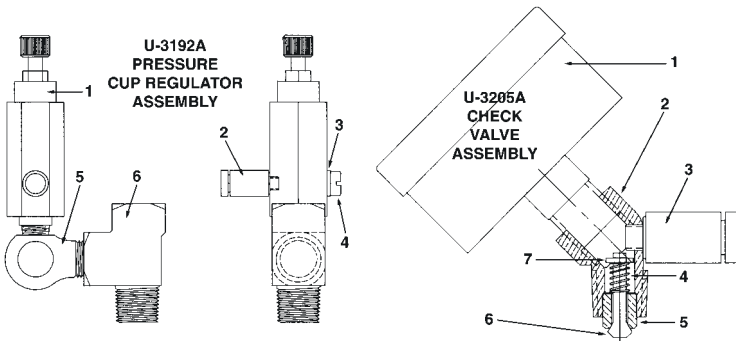
6.	U-3182	Cover
7.	3-GT	Gasket
8.	21SCC	Quart Cup and Boss
	U-3205A	Check Valve Assembly
	U-3192A	Pressure Valve Assembly
	T-02-5/32"	Tubing

U-3192A PRESSURE VALVE ASSEMBLY

1.	R-77	Regulator
2.	3171-04-20	Male Connector
3.	AE-43	"O" Ring
4.	10-32X1/4"R	Rd. Hd. Slotted Mach. Screw
5.	HF-1/4"X1/8"-90	Elbow
6.	HF-342	1/4" 3 Way Tee

U-3205A CHECK VALVE ASSEMBLY

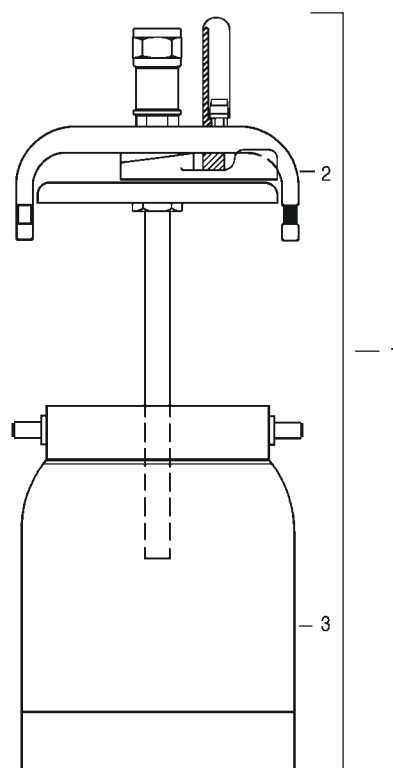
1.	GB-1-1/2"	30 psi Gauge
2.	U-3616	Elbow
3.	3171-04-20	Male Connector
4.	A-105	Spring
5.	U-3188	Check Valve Body
6.	U-3187	Check Valve
7.	U-3189	Split Collar



CL-38 CAM-LOCK SIPHON FEED QUART CUP:

CL38 Quart Container Assembly with 3/8" fluid connection is a heavy-duty industrial paint cup with a convenient Cam-Lock cover. Cover is locked or un-locked quickly, with little effort, by simply pushing a lever.

- **AU SPRAY GUNS** have 1/4" fluid connection requiring the HF-58 Adapter.
- **BU, CU, D2U, 211 & 300 SPRAY GUNS** have 3/8" connection and do not require an adapter.



CL38 QUART SIPHON CUP ASSEMBLY– 32 oz. (.946 l)

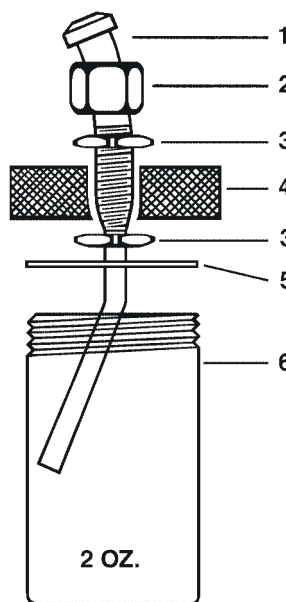
No.	Part Number	Description
1.	CL38	Cam-Lock Cup Assembly
2.	CLCO38	Cam-Lock Cover Assembly (only)
3.	CLCUP	Cam-Lock Quart Cup (only)
4.	HF-58	3/8"M x 1/4"F Adapter (not shown)

2 oz. Screw Cover Siphon Cup (Aluminum Cup) & Pint Polyethylene Siphon Container

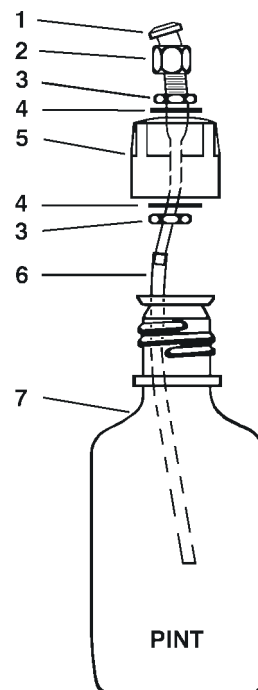
AU & AUT MODEL SPRAY GUNS with 1/4" Fluid Inlet:

26SCC METAL COLOR CUP– 2 oz. (60cc)

No.	Part Number	Description
1.	U-3231	Tube Assembly
2.	N-1/4"	Nut
3.	U-3226	Locknut (2)
4.	U-3560	Cover
5.	3-JG	Gasket
6.	VF-23	Cup



26SCC Siphon Metal Color Cup



66-PT Pint Siphon container (Poly Bottle)

66-PT PINT SIPHON CONTAINER– 16 oz. (.473 l)

No.	Part Number	Description
1.	U-3231	Tube Assembly
2.	N-1/4"	Nut
3.	U-3226	Locknut (2)
4.	U-3389	Flange (2)
5.	U-3194A	Cap
6.	T-04-1/4"	Polyethylene Tubing (5")
7.	U-3194	Pint Polyethylene Bottle

PAASCHE Screw Cover– Siphon and Gravity Cup Assemblies

Screw Cover– Siphon and Gravity Cups:

Cup Assemblies are used for quick change of color on jobs where materials are used in small quantities. Paasche offers cups of many sizes and styles for a wide range of uses.

- AU MODEL SPRAY GUNS have 1/4" fluid Connection.
- All others have 3/8" Fluid Connection.
- Small Airmotor Agitators are available for most aluminum and plastic containers. Call Paasche industrial sales.
- NOTE: Pint cups are not available. Use 1/2 Pint Cups– 8 oz. (.237 l) when required.

AU & AUT SPRAY GUNS with 1/4" Fluid Inlet:

21SC QUART GRAVITY CUP ASSEMBLY– 32 oz. (.946 l)

No.	Part Number	Description
1.	U-2097A	Cover
2.	3-GT	Gasket
3.	21SCC	Quart Cup and Boss

27SC 3 OUNCE GRAVITY CUP ASSEMBLY– 3 oz. (88cc)

9.	UB-255	Cover
10.	4-G	Gasket
11.	27SCC	3 Ounce Cup (only)

20SC QUART SIPHON CUP ASSEMBLY– 32 oz. (.946 l)

4.	UA-2398-7-1/4"	Tube Assembly
5.	UB-1538	Cover
6.	U-879	Locknut
7.	3-GT	Gasket
8.	20SCC	Quart Cup (only)

28SC HALF PINT GRAVITY CUP ASSEMBLY– 8 oz. (.237 l)

1.	U-2097A	Cover
2.	3-GT	Gasket
3.	28SCC	Half Pint Cup and Boss

24SC HALF PINT SIPHON CUP ASSEMBLY– 8 oz. (.237 l)

4.	UA-2398-5-3/4"	Tube Assembly
5.	UB-1538	Cover
6.	U-879	Locknut
7.	3-GT	Gasket
8.	24SCC	Half Pint Cup (only)

BU, CU, D2U, 211 & 300 SPRAY GUNS with 3/8" Fluid Inlet:

31SC QUART GRAVITY CUP ASSEMBLY– 32 oz. (.946 l)

No.	Part Number	Description
1.	U-2097A	Cover
2.	3-GT	Gasket
3.	31SCC	Quart Cup and Boss

30SC QUART SIPHON CUP ASSEMBLY– 32 oz. (.946 l)

4.	U-992-7	1/8" Tube Assembly
5.	UB-1538	Cover
6.	U-879	Locknut
7.	3-GT	Gasket
8.	20SCC	Quart Cup (only)

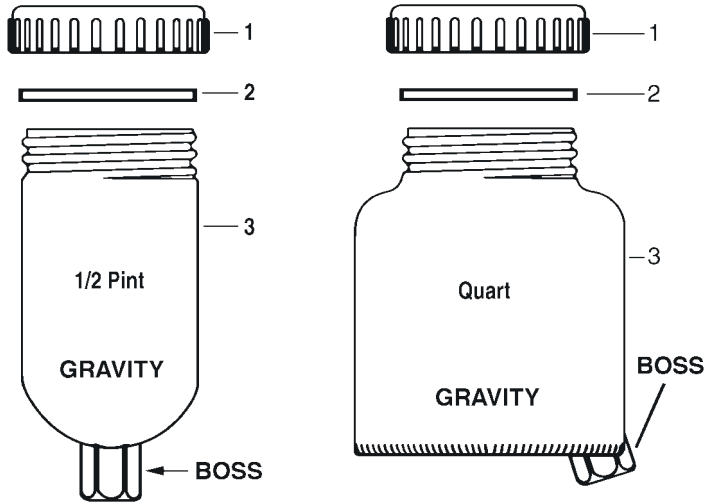
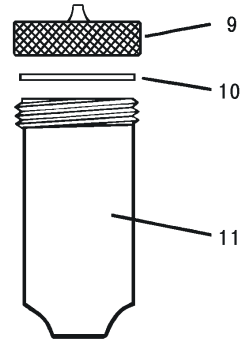
35SC HALF PINT GRAVITY CUP ASSEMBLY– 8 oz. (.237 l)

1.	U-2097A	Cover
2.	3-GT	Gasket
3.	35SCC	Half Pint Cup and Boss

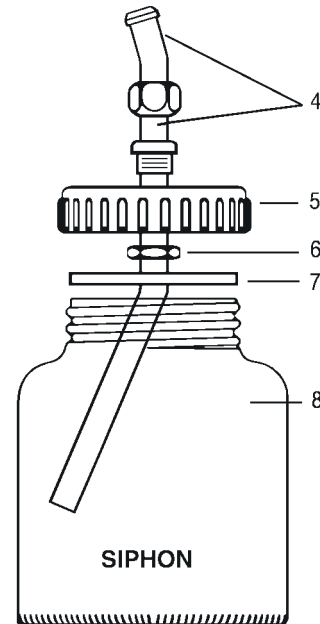
34SC HALF PINT SIPHON CUP ASSEMBLY– 8 oz. (.237 l)

4.	U-992-6	1/4" Tube Assembly
5.	UB-1538	Cover
6.	U-879	Locknut
7.	3-GT	Gasket
8.	24SCC	Half Pint Cup (only)

3 oz. Gravity Feed Cup



Gravity Cups: Feed color faster and permit close to surface detail work.



Siphon Cups: For broader coverage where cup is not in the way of the surface to be coated.