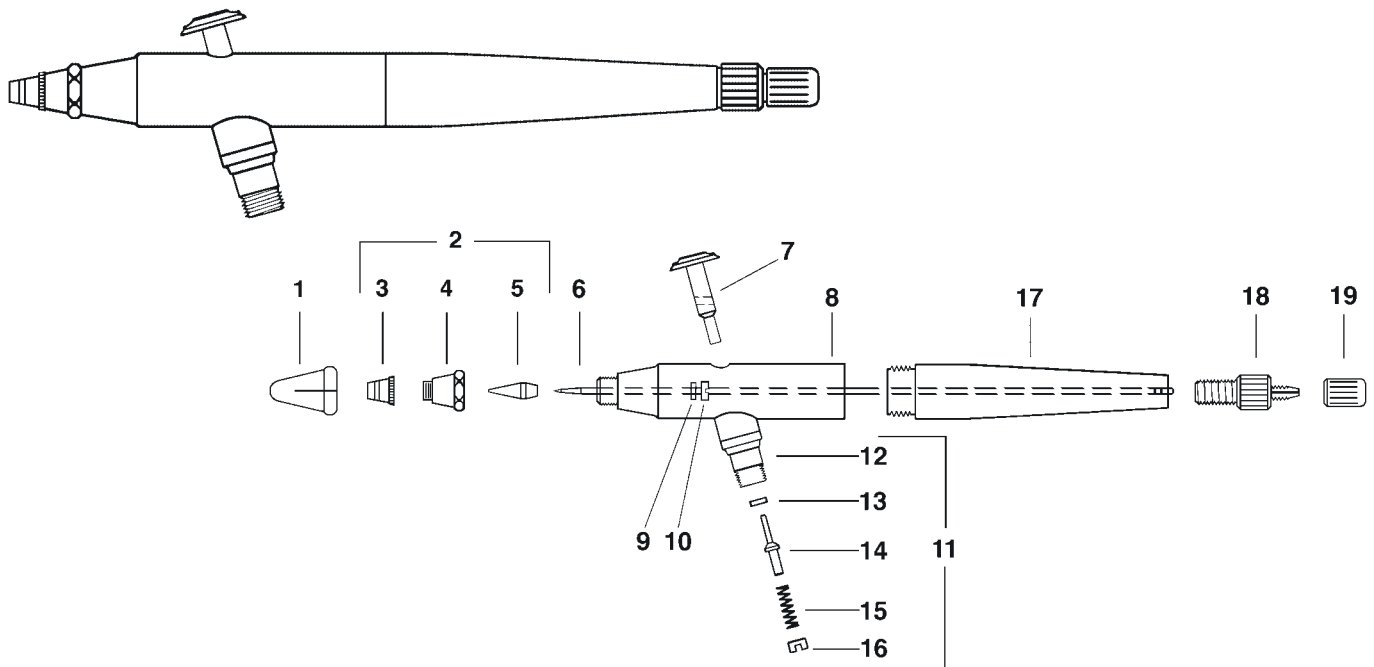


CC Creative Crafters Airbrush Single Action

OPERATING INSTRUCTIONS AND REPLACEMENT PARTS

WARNING: Spray materials may be harmful if inhaled or allowed to come into contact with the skin or eyes. Consult the product label and Material Safety Data Sheet supplied for the spray material. Follow all safety precautions.
CAUTION: Well Ventilated Area Required to remove fumes, dust or overspray. Secure airhose to Airbrush with V-62 Wrench for safety and to prevent air leaks.
Maximum Air Pressure 75 P.S.I.



OPERATING INSTRUCTIONS:

Adjustments in the flow of color are made by turning the Needle Chuck (18) in to shut off, or out for increased flow.

The "CC" Creative Crafters Airbrush is simple in design and function. To disassemble, loosen the Needle Locknut (19) by holding the Needle Chuck (18) firmly so it will not turn. Then unscrew the Needle Chuck from the Red Handle (17) and next remove the Handle. Now carefully remove the Needle (6) and then the Finger Button Assembly (7).

Note, the angled hole in the Button Stem as you remove it because it must be replaced with the angle of the hole in line with the axis of the Airbrush. The Aircap (3), Aircap Body (4) and Tip (5) may now be removed. Reassembly should be accomplished by reversing the above procedure.
NOTE: Caution should be used when reinserting the Needle - too much pressure can damage the Tip.

No.	Part No.	Description
1.	V-189	Head Protecting Cap
2.	VM-2	Multiplehead Assem. L/Needle
3.	VA-2	Aircap
4.	VB	Aircap Body
5.	VT-2	Tip
6.	CCN-2	Needle-Extra Length
7.	CC-174	Finger Button Assem.
8.	CC-163	Shell Assembly
12.	V-20	Valve Casing
9.	V-83	Packing-Teflon®
10.	V-84	Packing Nut
11.	V-176	Air Valve Assembly
12.	V-20	Valve Casing
13.	A-52	Valve Washer (Dozen)
14.	H-21A	Valve Plunger
15.	A-22	Valve Spring
16.	A-23A	Air Valve Nut
17.	CC-164	Red Handle
18.	CC-166	Needle Chuck
19.	CC-160	Needle Locknut

Paasche Airbrush Company

7440 West Lawrence Avenue
 Harwood Heights, Illinois 60706-3412
 Phone: 708/867-9191 • Fax: 708/867-9198

Websites: paascheairbrush.com and
paasche.thomasregister.com or E-Mail: paascheair@aol.com