



HSSB-22-16 Hobby-Shop Spray Booth

OPERATING INSTRUCTIONS AND REPLACEMENT PARTS
(115 Volts, 60 Cycle, .43 AMPS)

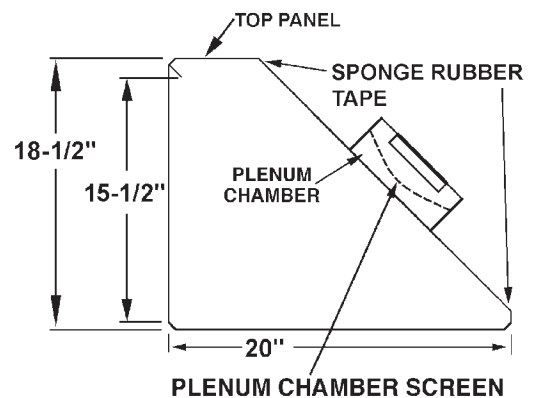
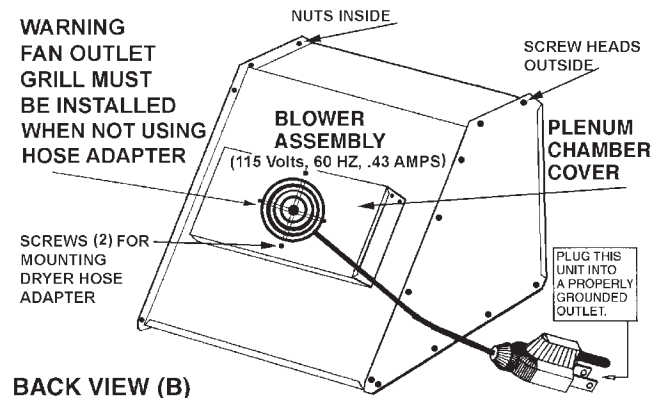
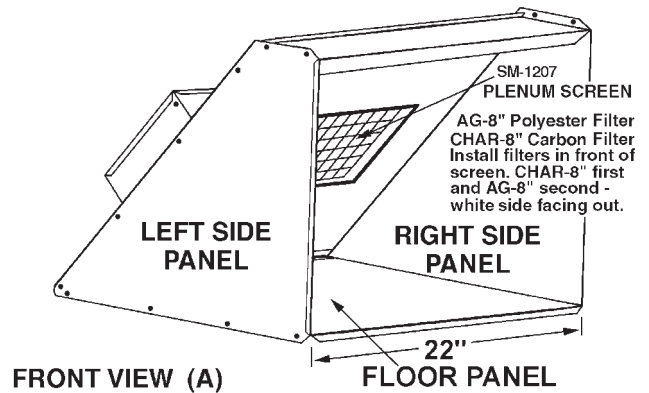
ASSEMBLY INSTRUCTIONS:

1. Assemble booth per instructions on the back of this sheet.
2. Place spray booth on a sturdy stable surface larger than its base (20" x 22") and capable of supporting 30lbs. or more.
3. Insert the plenum chamber screen from the front of the spray booth (Illustration C).
4. Insert the CHAR-8" Carbon filter (black) from the front of the spray booth and then the AG-8" Polyester filter, **colored side first**, into the plenum chamber so they are secured by the outer perimeter of the inlet to the plenum chamber (Illustration A). Your spray booth is now complete.

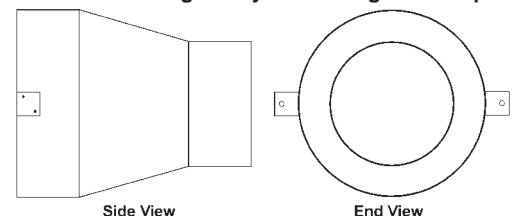
CAUTIONS:

1. Do not use this equipment in explosive atmospheres.
2. Plug the unit into 3 hole properly grounded outlet. Always un-plug the unit before assembly or disassembly of components or changing filters.
3. Do not operate the unit near running water or a wet surface. Avoid any type of exposure of the motor to direct moisture.
4. Protect the power cable from coming into contact with sharp edges, oil, grease, hot surfaces or chemicals.
5. Wiping or cleaning rags and other flammable waste materials must not be used near the motor when operating. Waste materials must be disposed of in a proper fashion.
6. Do not remove the Fan Outlet Grill. The fan blade is sharp and can cause serious injury if contacted while running. Use Fan Outlet Adapter for exhausting to the outside.
7. This unit is intended to remove larger particles from the air when painting small objects such as models and pottery. It will not remove all hazardous material from the air so caution should be taken when spraying materials that have strong vapors or harmful chemicals. **When required, wear protective paint and vapor mask and vent the unit to the outside atmosphere using 4" dryer duct. Change booth filters frequently.**

WARNING: Spray materials may be harmful if inhaled or allowed to come into contact with the skin or eyes. Consult the product label and Material Safety Data Sheet supplied for the spray material. Follow all safety precautions. Use HSSB to create a Well Ventilated Area to remove fumes, dust or overspray. Exhaust to the outside. Change filters frequently and dispose of in a safe manner. **Fan Outlet Grill Must Be Installed At All Times When Not Using Dryer Hose Adapter.**



4" Dryer Hose Adapter for Outside Exhaust Connection
*Remove fan outlet grill only when using hose adapter.



Paasche Airbrush Company
4311 North Normandy Avenue
Chicago, IL 60634-1395
Phone: 773-867-9191 • Fax: 773-867-9198
Website: www.paascheairbrush.com
E-Mail: info@paascheairbrush.com

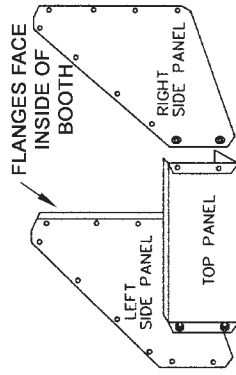
BOOTH ASSEMBLY INSTRUCTIONS

CAUTION! MAY BE SHARP EDGES

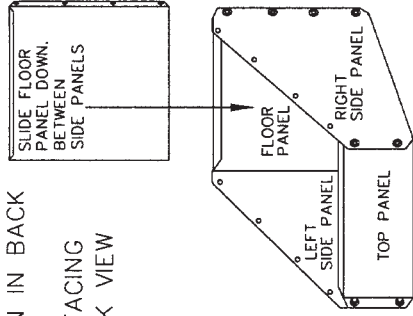
A PHILLIPS SCREW DRIVER IS REQUIRED TO TIGHTEN SCREWS.
ALL 20 SCREW HEADS FACE OUTSIDE OF BOOTH.

- 1) FOR EASE OF ASSEMBLY, POSITION TOP AND SIDE PANELS AS SHOWN IN STEP 1. SECURE WITH 4 SCREWS AND NUTS AS SHOWN.
- 2) ASSEMBLE FLOOR PANEL AS IN STEP 2.

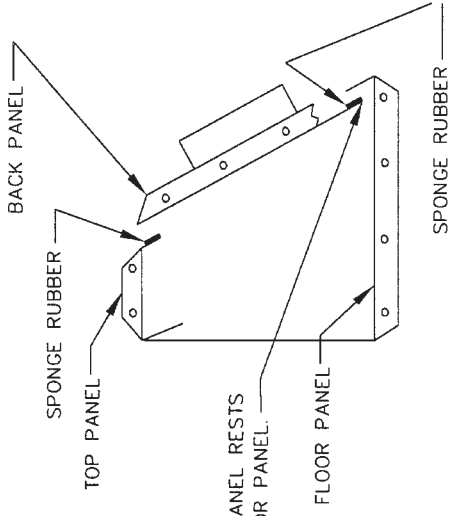
- 3) APPLY A ROW OF SPONGE RUBBER TAPE ALONG FLANGE OF TOP PANEL AND BOTTOM OF BACK PANEL AS SHOWN IN BACK VIEW AND RIGHT SIDE DETAIL.
- 4) TIP ASSEMBLY INTO UPRIGHT POSITION (TOP PANEL FACING UP) AND ASSEMBLE BACK PANEL AS SHOWN IN BACK VIEW AND RIGHT SIDE DETAIL.



STEP 1



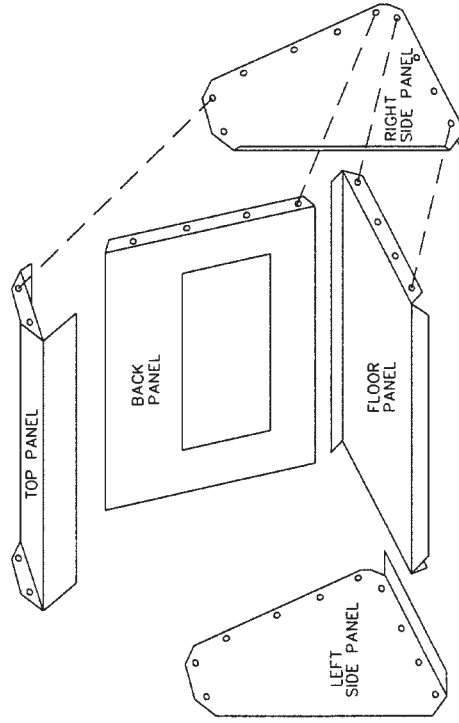
STEP 2



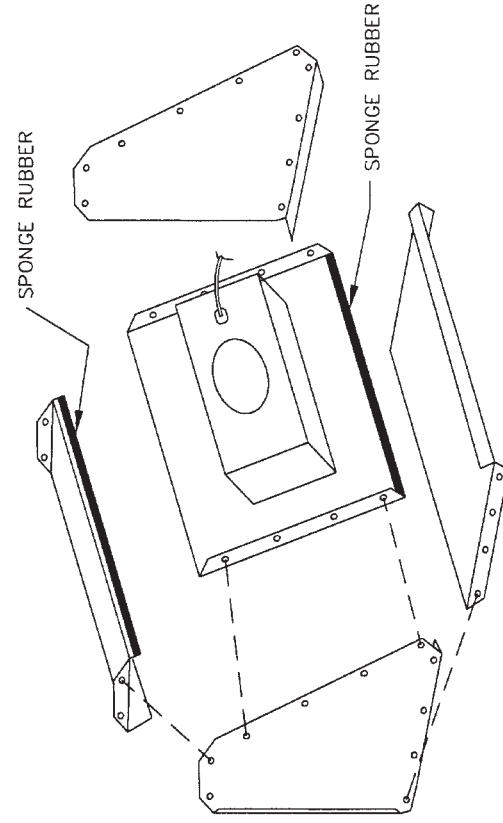
IMPORTANT NOTE:

LOWER END OF BACK PANEL RESTS INSIDE FLANGE OF FLOOR PANEL.

RIGHT SIDE DETAIL



FRONT VIEW



BACK VIEW