



Gravity Fluid Containers

These Assemblies with Polyethylene Plastic Containers are used in conjunction with Spray Guns as a gravity feed device. It is a practical supply method, with remote location possibilities, allowing freedom of movement for manual operation and convenience of location for Automatic Spray Equipment.

Available in Quart, 1/2 Gallon, Gallon and 2 Gallon Containers complete with Wall Mounting Bracket. Each assembly has a 3/8" male fluid outlet for easy connection to Paasche's HA-3/8" Fluid Hose. Spray Gun end must be 1/4" Coupling for AU & JU - Style and 3/8" Coupling for BU, CU or D2U - Styles.

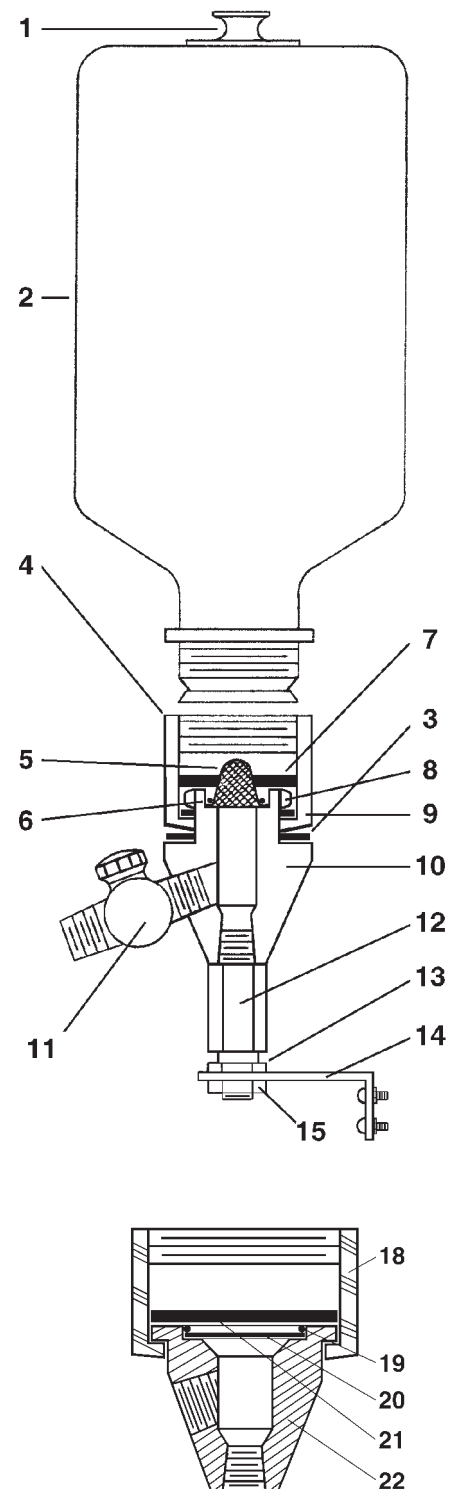
WARNING: Spray materials may be harmful if inhaled or allowed to come into contact with the skin or eyes. Consult the product label and Material Safety Data Sheet supplied for the spray material. Follow all safety precautions.
CAUTION: Well Ventilated Area Required to remove fumes, dust or overspray. Secure fluid hose wrench tight for safety and to prevent leaks.

20-1: Quart Gravity Container Assembly – 32oz. (.946 l)	
1. U-3074	Cover
2. U-3016	Qt. Poly Container
U-3156	Outlet Bushing Assem.
3. 4-G	Gasket
4. U-3154	Cap
5. U-3018S	Strainer
6. U-3019S	Retaining Ring
7. U-3157	Gasket
8. PA-100	Locknut
9. PA-99	Washer
10. U-2911B	Outlet Bushing
11. HF-3/8	Valve Assembly
12. UM-71	Mounting Socket
13. JC-61	Tapered Stud
14. SM-42	Bracket
15. 1/2"-13J	Hex Jam Nut

22-1: Gallon Gravity Container Assembly – 128oz. (3.78 l)	
1. U-3354	Cover
2. U-3016-1	1 Gallon Poly Container
U-3156	Outlet Bushing Assem.
3. 4-G	Gasket
4. U-3154	Cap
5. U-3018S	Strainer
6. U-3019S	Retaining Ring
7. U-3157	Gasket
8. PA-100	Locknut
9. PA-99	Washer
10. U-2911B	Outlet Bushing
11. HF-3/8	Valve Assembly
12. UM-71	Mounting Socket
13. JC-61	Tapered Stud
14. SM-42	Bracket
15. 1/2"-13J	Hex Jam Nut

21-1/2: Half Gallon Gravity Container Assembly – 64oz. (1.89 l)	
1. U-3354	Cover
2. U-3016-1/2	1/2 Gallon Poly Container
U-3156	Outlet Bushing Assem.
3. 4-G	Gasket
4. U-3154	Cap
5. U-3018S	Strainer
6. U-3019S	Retaining Ring
7. U-3157	Gasket
8. PA-100	Locknut
9. PA-99	Washer
10. U-2911B	Outlet Bushing
11. HF-3/8	Valve Assembly
12. UM-71	Mounting Socket
13. JC-61	Tapered Stud
14. SM-42	Bracket
15. 1/2"-13J	Hex Jam Nut

23-2: Two Gallon Gravity Container Assembly – 256oz. (7.56 l)	
1. U-3354	Cover
2. U-3051	2 Gallon Poly Container
11. HF-3/8	Valve Assembly
12. UM-71	Mounting Socket
13. JC-61	Tapered Stud
14. SM-42	Mounting Bracket
15. 1/2"-13J	Hex Jam Nut
18. U-3193	Cap
19. U-3087	Retaining Ring
20. U-3086	Strainer
21. U-3134P	Gasket
22. U-3054	Outlet Bushing



2 Gallon Gravity Fluid Container

Paasche Airbrush Company
4311 North Normandy Avenue
Chicago, IL 60634-1395
Phone: 773-867-9191 • Fax: 773-867-9198
Website: paascheairbrush.com
E-Mail: info@paascheairbrush.com