

D500S AIR COMPRESSOR with ON/OFF SWITCH

OIL-LESS DIAPHRAGM AIR COMPRESSOR
NEEDS NO LUBRICATION

(115 VOLT, 60 CYCLE, 3 AMPS., 1/10 H.P.)

The **D500S** Air Compressor is suitable for all airbrushes spraying properly thinned fluids. This is the most economical Air Compressor Paasche offers to the art and hobby field. It is capable of delivering up to 40 lbs. pressure, is an oil-less diaphragm unit and comes with 3 wire cord. The D500S operates on 115 Volt and delivers (.5 C.F.M. at 20 P.S.I.), 1 Phase, 60 Cycle, 1/10 H.P., 3 AMPS.

INSTRUCTIONS:
BEFORE OPERATING COMPRESSOR, READ AND FOLLOW DIRECTIONS AS OUTLINED BELOW.

1. Assemble No. 24 (D535 Bleeder Valve) to Air Outlet Port in position as shown on drawing and tighten securely with Knurled Stem facing up.
2. Open Bleeder Valve by turning Hex Nut, then Knurled Stem counter-clockwise, approximately two turns, this prevents compressor having to start under load. **DO NOT** close Bleeder Valve completely as Compressor may not start under pressure.
3. Set Compressor on floor. (Compressor vibrates and may "walk" off elevated surfaces, possibly causing damage to unit or injury to you.)
4. Plug cord with ON/OFF Switch into 115V., 60 CY. grounded outlet.

GROUNDING INSTRUCTIONS:

This product should be grounded. In the event of an electrical short circuit, grounding reduces the risk of electrical shock by providing an escape wire for the electric current. This product is equipped with a cord having a grounding wire with an appropriate grounding plug. The plug must be plugged into an outlet that is properly installed and grounded in accordance with all local codes and ordinances.

DANGER—Improper use of the grounding plug can result in a risk of electrical shock.

Paasche Airbrush Company
4311 North Normandy
Chicago, IL 60634-1395
Phone: 773-867-9191 • **Fax:** 773-867-9198
Website: paascheairbrush.com
E-Mail: info@paascheairbrush.com

WARNING: When a flammable liquid is sprayed, there may be danger of fire or explosion especially in a closed room: keep compressor at least 20 feet away from areas where hazardous concentrations of flammable vapors are likely to occur. Disconnect power before servicing.

ATTENTION: Lorsqu'un liquide inflammable est pulvérisé, il peut y avoir danger d'incendie ou d'explosion, spécialement dans une pièce fermée; garder le compresseur à au moins 20 pieds des endroits où des concentrations dangereuses de vapeurs inflammables sont susceptibles de se produire. Débrancher avant toute maintenance.

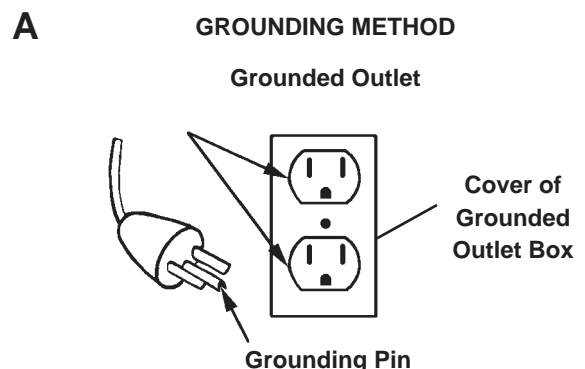
If repair or replacement of the cord or plug is necessary, do not connect the grounding wire to either flat blade terminal. The wire with insulation having an outer surface that is green with or without yellow stripes is the grounding wire.

Check with a qualified electrician or serviceman if the grounding instructions are not completely understood, or if in doubt as to whether the product is properly grounded. **DO NOT** modify the plug provided; if it will not fit the outlet, have the proper outlet installed by a qualified electrician.

This product is for use on nominal 120-volt circuit and has a grounding plug that looks like the plug illustrated in sketch (A). Make sure that the product is connected to an outlet having the same configuration as the plug. No adapter should be used with this product.

EXTENSION CORDS:

Use only a 3-wire extension cord that has a 3-blade grounding plug, and a 3-slot receptacle that will accept the plug on the product. Make sure your extension cord is in good condition. When using an extension cord, be sure to use one heavy enough to carry the current your product will draw. An undersized cord will cause a drop in line voltage resulting in loss of power and overheating.





SERVICE:

Before returning D500S unit for service carefully read and follow instructions. Disconnect before servicing.

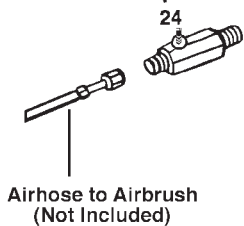
If Compressor should begin to pump less air, check six Head Screws and tighten if necessary. Check Exhaust Reed #9 and Intake Reed #8 for damage and proper position over holes in Valve Plates. When replacing parts, assemble in the same position as before they were removed. Normal operating temperature of compressor is 150°-160° F. Any electrical servicing should be done by the Factory.

AUTOMATIC THERMAL LIMITER

The D500S Compressor will shut off automatically when overheated. To restart, release air pressure and let Compressor cool down.

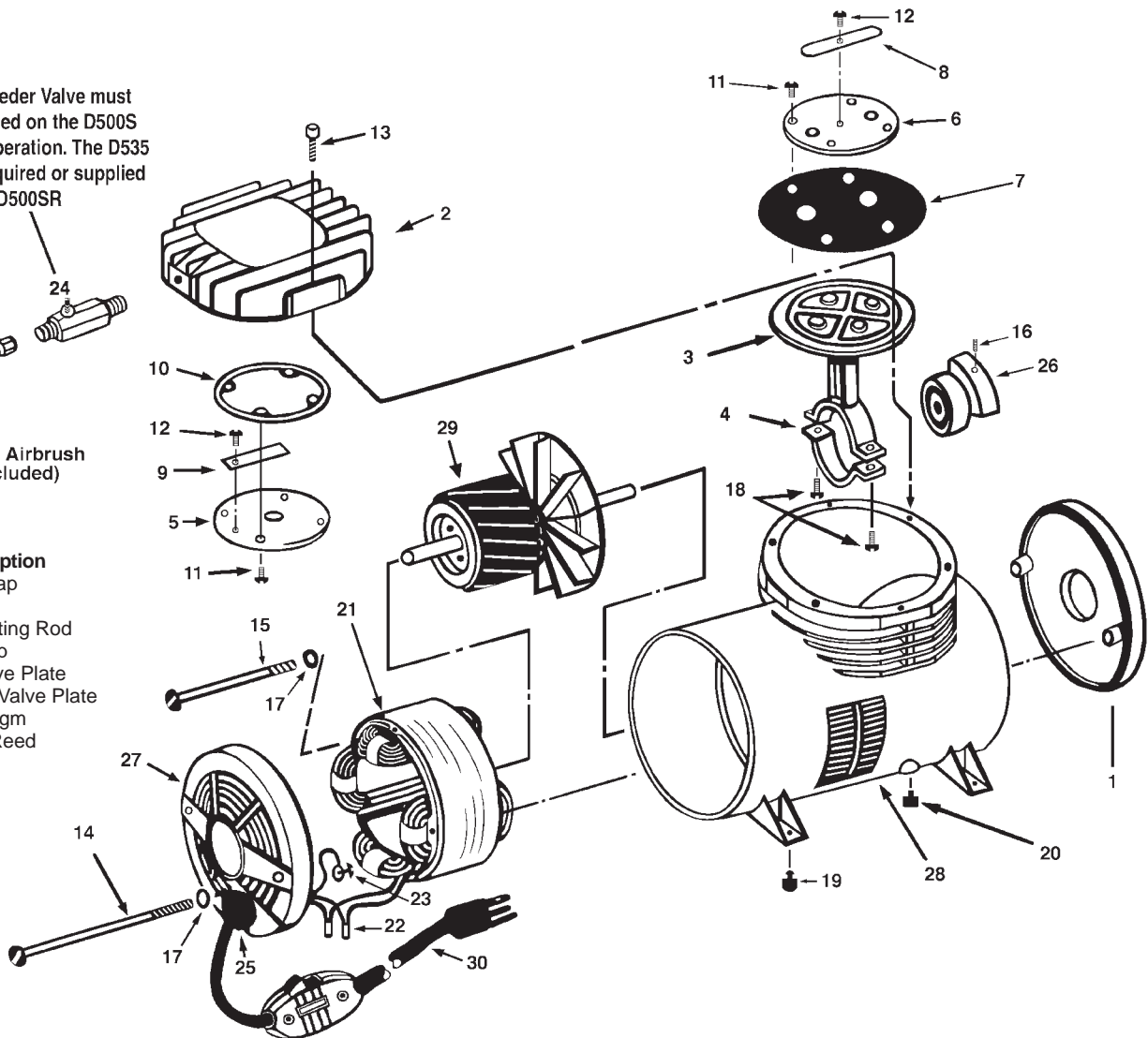
D500 Less On/Off switch is CSA Approved.
D500S With On/Off switch is not CSA Approved.

D535 Bleeder Valve must be installed on the D500S before operation. The D535 is not required or supplied with the D500SR



No.-Part No.-Description

- 1. D502 Front Cap
- 2. D504 Head
- 3. D505 Connecting Rod
- 4. D506 Rod Cap
- 5. D509 Top Valve Plate
- 6. D510 Bottom Valve Plate
- 7. D511 Diaphragm
- 8. D512 Intake Reed



Part Number and Description

- 9. D513 Exhaust Reed
- 10. D514 Top Plate Gasket
- 11. D515 Valve Plate Screw (8 required)
- 12. D516 Reed Screw (2 required)
- 13. D517 Head Screw (6 required)
- 14. D518 Cap Retaining Screw (2 required)
- 15. D519 Stator Screw (2 required)
- 16. M-44 Counter Weight Screw

Part Number and Description

- 17. D521 Cap Split Lock Washer (4)
- 18. D523 Rod Screw (2)
- 19. D524 Rubber Foot (4)
- 20. D525 Plug Bushing (2)
- ✧21. D526 Motor Stator 115 V., 60 CY.
- 22. D529 Insulated Crimp Connector (2)
- 23. D530 Ground Wire Screw
- 24. D535 Bleeder Valve

Part Number and Description

- 25. D539 Cord Strain Relief
- 26. D540 Counter Weight/Rod Brg Assembly
- 27. D541 Rear Cap & Brg. Assembly.
- 28. D501 Housing Painted w/Ctr. Bearing
- ✧29. D543 Shaft, Rotor & Fan Assembly
- 30. U-2769-6' Cord with Switch
- ✧ **These Items require Factory Installation!**