



Cup & Bottle Assemblies

INSTRUCTIONS AND REPLACEMENT PARTS

Screw Cover Siphon Jar Assemblies:

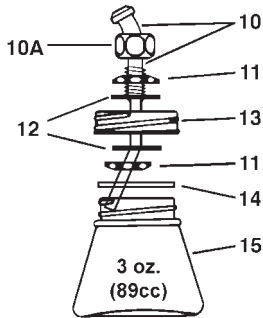
Jar Assemblies are used for quick change of colors on jobs where materials are used in small quantities. Paasche offers containers of many sizes for a wide variety of uses.

- AUB, AUT & A-JU Spray Guns have 1/4" Fluid Connection.
- BUB, CU, D2U, 211 & 300 have 3/8" Fluid Connections.

AUB & AUT SPRAY GUNS with 1/4" Fluid Inlet:

43SCJ 3 OUNCE SIPHON JAR ASSEMBLY—3 oz. (89cc)

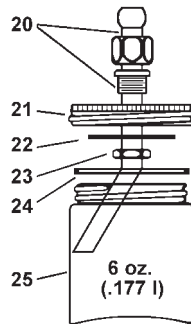
- | | | |
|------|-----------------|----------------------|
| 10. | U-3231 | Tube & Neck Assembly |
| 10A. | N-1/4 | Nut Plated |
| 11. | U-3226 | Locknut (2) |
| 12. | U-3389 | Flange (2) |
| 13. | U-3390-1 | Cover |
| 14. | 3-JG | Gasket |
| 15. | H-108 | 3 Ounce Jar |



BUB, CU, D2U, 211 & 300 SPRAY GUNS with 3/8" Fluid Inlet:

47SCJ 6 OUNCE SIPHON JAR ASSEMBLY— 6 oz. (.177 l)

- | | | |
|-----|----------------|--------------------|
| 20. | U-992-4 | 5/8" Tube Assembly |
| 21. | DB-46 | 6 Ounce Cover |
| 22. | DB-47 | Stiffener |
| 23. | U-879 | Locknut |
| 24. | 6-JG | Gasket |
| 25. | 47J | 6 Ounce Jar |



Paasche Airbrush Company

4311 North Normandy Avenue
Chicago, IL 60634-1395

Phone: 773-867-9191 • Fax: 773-867-9198

Website: paascheairbrush.com

E-Mail: info@paascheairbrush.com

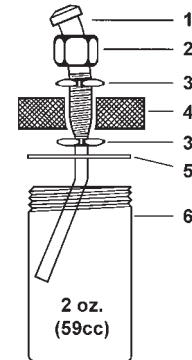
WARNING: Spray materials may be harmful if inhaled or allowed to come into contact with the skin or eyes. Consult the product label and Material Safety Data Sheet supplied for the spray material. Follow all safety precautions. **CAUTION:** Well Ventilated Area Required to remove fumes, dust or overspray. **Siphon Jars (Glass) must never be pressurized. Pressure feed Cup Assemblies (Aluminum) must never exceed 25 P.S.I.**

Screw Cover Siphon Cup 2 oz. (Aluminum Cup)

AUB & AUT MODEL SPRAY GUNS with 1/4" Fluid Inlet:

26SC METAL COLOR CUP— 2 oz. (59cc)

- | No. | Part Number | Description |
|-----|---------------|---------------|
| 1. | U-3231 | Tube Assembly |
| 2. | N-1/4 | Nut |
| 3. | U-3226 | Locknut (2) |
| 4. | U-3560 | Cover |
| 5. | 3-JG | Gasket |
| 6. | VF-23 | Cup |



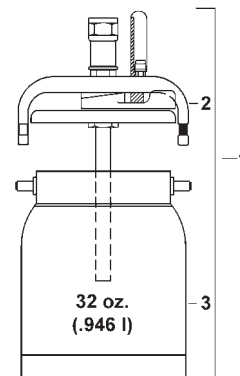
CL-38 CAM-LOCK Siphon Feed Quart Aluminum Cup:

CL38 Quart Container Assembly with 3/8" fluid connection is a heavy-duty industrial paint cup with a convenient Cam-Lock cover. Cover is locked or un-locked quickly, with little effort, by simply pushing a lever.

- **AUB SPRAY GUNS** have 1/4" fluid connection **requiring** the HF-58 Adapter.
- **BUB, CU, D2U, 211 & 300 SPRAY GUNS** have 3/8" connection and do not require an adapter.

CL38 QUART SIPHON CUP ASSEMBLY— 32 oz. (.946 l)

- | No. | Part Number | Description |
|-----|---------------|-------------------------------------|
| 1. | CL38 | Cam-Lock Cup Assembly |
| 2. | CLCO38 | Cam-Lock Cover Assembly (only) |
| 3. | CLCUP | Cam-Lock Quart Cup (only) |
| 4. | HF-58 | 3/8" M x 1/4" F Adapter (not shown) |



PAASCHE Siphon and Gravity-Pressure Feed Cup Assemblies

Siphon & Gravity Pressure Feed Cups:

Faster application of viscous materials is possible with pressure fed cups, versus standard siphon or gravity cups. Regulate air pressure in the cup by turning the Control Screw on the **U-3192A** clockwise until desired pressure registers on the cup Gauge **GB-1-1/2**.

CAUTION: NEVER EXCEED 25 P.S.I., OR USE GLASS CONTAINERS WITH PRESSURE.

BUB, CU, D2U, 211 & 300 SPRAY GUNS- 3/8" Fluid Inlet:

52P QUART SIPHON CUP ASSEMBLY- 32 oz. (.946 l)

No.	Part Number	Description
1.	U-992-7	1/8" Tube Assembly
2.	U-3204	Cover
3.	U-879	Locknut
4.	3-GT	Gasket
5.	20SCC	Quart Cup Assembly
	U-3205A	Check Valve Assembly
	U-3192A	Pressure Valve Assembly
	T-02-5/32	Tubing

53P QUART GRAVITY CUP ASSEMBLY- 32 oz. (.946 l)

6.	U-3182	Cover
7.	3-GT	Gasket
8.	31SCC	Quart Cup and Boss
	U-3205A	Check Valve Assembly
	U-3192A	Pressure Valve Assembly
	T-02-5/32	Tubing

AUB SPRAY GUNS with 1/4" Fluid Inlet:

50P QUART SIPHON CUP ASSEMBLY- 32 oz. (.946 l)

No.	Part Number	Description
1.	UA-2398-7-1/4	Tube Assembly
2.	U-3204	Cover
3.	U-879	Locknut
4.	3-GT	Gasket
5.	20SCC	Quart Cup Assembly
	U-3205A	Check Valve Assembly
	U-3192A	Pressure Valve Assembly
	T-02-5/32	Tubing

51P QUART GRAVITY CUP ASSEMBLY- 32 oz. (.946 l)

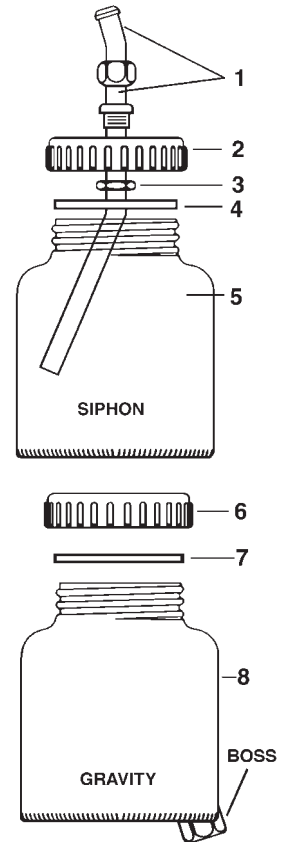
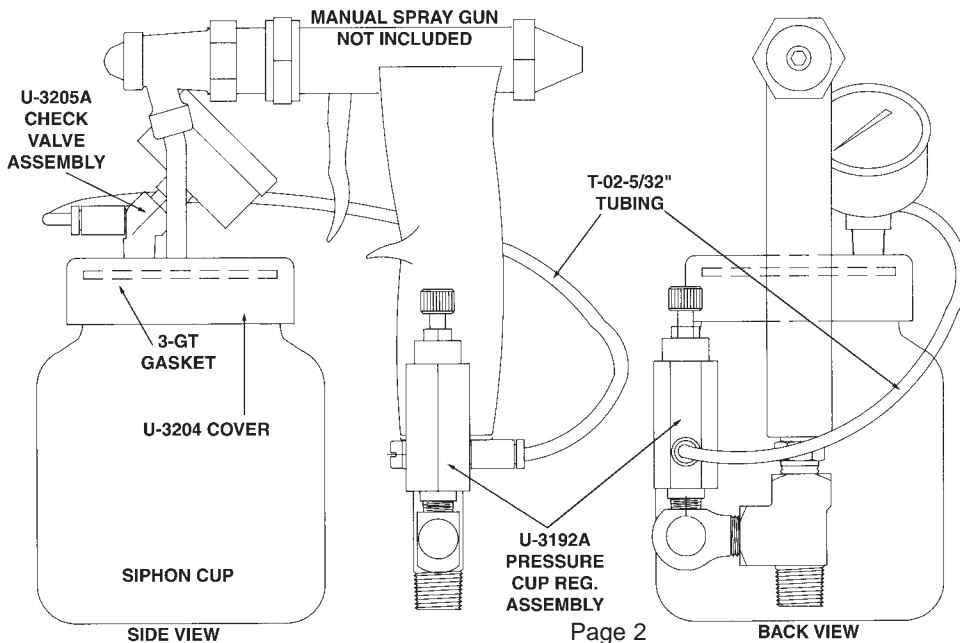
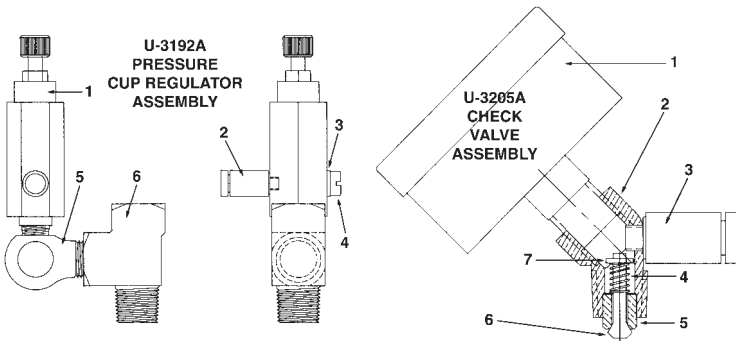
6.	U-3182	Cover
7.	3-GT	Gasket
8.	21SCC	Quart Cup and Boss
	U-3205A	Check Valve Assembly
	U-3192A	Pressure Valve Assembly
	T-02-5/32	Tubing

U-3192A PRESSURE VALVE ASSEMBLY

1.	R-77	Regulator
2.	3171-04-20	Male Connector
3.	AE-43	"O" Ring
4.	10-32X1/4R	Rd. Hd. Slotted Mach. Screw
5.	HF-1/4X1/8-90	Elbow
6.	HF-342	1/4" 3 Way Tee

U-3205A CHECK VALVE ASSEMBLY

1.	GB-1-1/2	30 psi Gauge
2.	U-3616	Elbow
3.	3171-04-20	Male Connector
4.	A-105	Spring
5.	U-3188	Check Valve Body
6.	U-3187	Check Valve
7.	U-3189	Split Collar



PAASCHE Screw Cover– Siphon and Gravity Cup Assemblies

Screw Cover– Siphon and Gravity Cups:

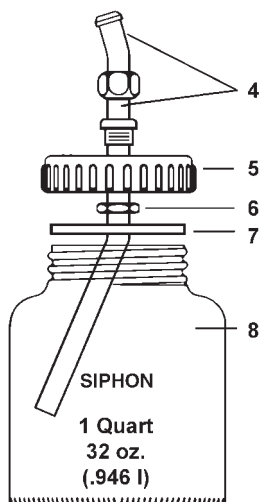
AUB & AUT SPRAY GUNS with 1/4" Fluid Inlet:

Cup Assemblies are used for quick change of color on jobs where materials are used in small quantities. Paasche offers cups of many sizes and styles for a wide range of uses.

- AU MODEL SPRAY GUNS have 1/4" fluid Connection.
- All others have 3/8" Fluid Connection.
- Small Airmotor Agitators are available for most aluminum and plastic containers. Call Paasche industrial sales.

20SC QUART SIPHON CUP ASSEMBLY. 32 oz. (.946 l)

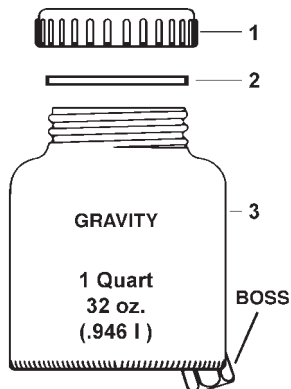
No.	Part Number	Description
4.	UA-2398-7-1/4	Tube Assembly
5.	UB-1538	Cover
6.	U-879	Locknut
7.	3-GT	Gasket
8.	20SCC	Quart Cup (only)



Siphon Cups: For broader coverage where cup is not in the way of the surface to be coated.

21SC QUART GRAVITY CUP ASSEMBLY. 32 oz. (.946 l)

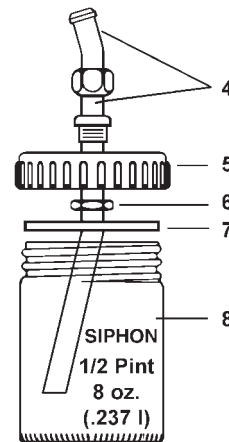
No.	Part Number	Description
1.	U-2097A	Cover
2.	3-GT	Gasket
3.	21SCC	Quart Cup and Boss



Gravity Cups: Feed color faster and permit close detail work

24SC HALF PINT SIPHON CUP ASSEMBLY. 8 oz. (.237 l)

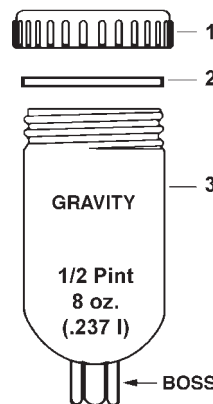
No.	Part Number	Description
4.	UA-2398-5-3/4	Tube Assembly
5.	UB-1538	Cover
6.	U-879	Locknut
7.	3-GT	Gasket
8.	24SCC	Half Pint Cup (only)



Siphon Cups: For broader coverage where cup is not in the way of the surface to be coated.

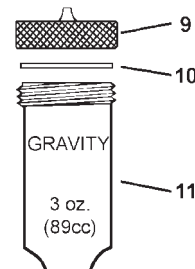
28SC HALF PINT GRAVITY CUP ASSEMBLY. 8 oz. (.237 l)

No.	Part Number	Description
1.	U-2097A	Cover
2.	3-GT	Gasket
3.	28SCC	Half Pint Cup and Boss



27SC 3 OUNCE GRAVITY CUP ASSEMBLY. 3 oz. (89cc)

No.	Part Number	Description
9.	UB-255	Cover
10.	4-G	Gasket
11.	27SCC	3 Ounce Cup (only)



PAASCHE Screw Cover– Siphon and Gravity Cup Assemblies

Screw Cover– Siphon and Gravity Cups:

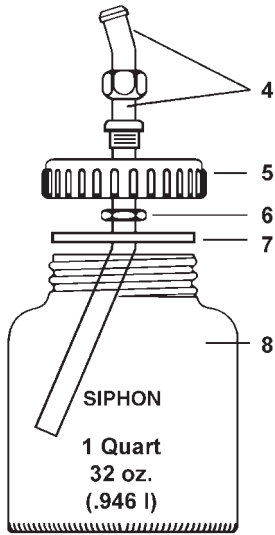
BUB, CU, D2U, 211 & 300 SPRAY GUNS with 3/8" Fluid Inlet:

Cup Assemblies are used for quick change of color on jobs where materials are used in small quantities. Paasche offers cups of many sizes and styles for a wide range of uses.

- All these Models have a 3/8" Fluid Connection.
- Small Airmotor Agitators are available for most aluminum and plastic containers. Call Paasche industrial sales.

30SC QUART SIPHON CUP ASSEMBLY– 32 oz. (.946 l)

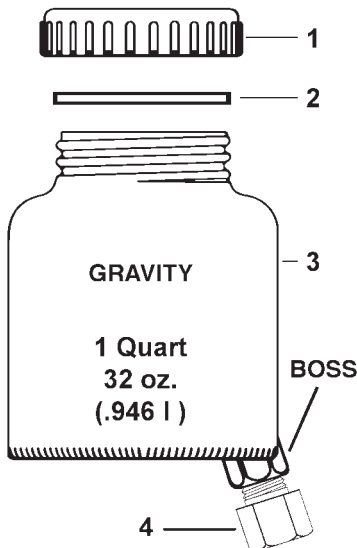
No.	Part Number	Description
4.	U-992-7	1/8" Tube Assembly
5.	UB-1538	Cover
6.	U-879	Locknut
7.	3-GT	Gasket
8.	20SCC	Quart Cup (only)



Siphon Cups: For broader coverage where cup is not in the way of the surface to be coated.

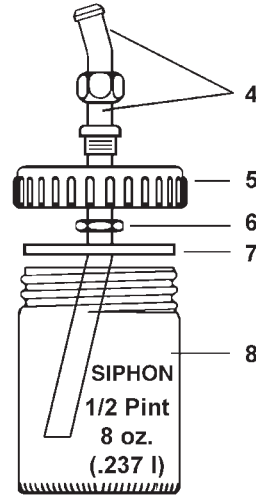
31SC QUART GRAVITY CUP ASSEMBLY– 32 oz. (.946 l)

No.	Part Number	Description
1.	U-2097A	Cover
2.	3-GT	Gasket
3.	21SCC	Quart Cup and Boss
4.	HF-58	Adapter



34SC HALF PINT SIPHON CUP ASSEMBLY– 8 oz. (.237 l)

No.	Part Number	Description
4.	U-992-6	1/4" Tube Assembly
5.	UB-1538	Cover
6.	U-879	Locknut
7.	3-GT	Gasket
8.	24SCC	Half Pint Cup (only)



Siphon Cups: For broader coverage where cup is not in the way of the surface to be coated.

35SC HALF PINT GRAVITY CUP ASSEMBLY– 8 oz. (.237 l)

No.	Part Number	Description
1.	U-2097A	Cover
2.	3-GT	Gasket
3.	35SCC	Half Pint Cup and Boss

