



# A-BUIF-4 Automatic Spray Guns

## OPERATING INSTRUCTIONS AND REPLACEMENT PARTS

Before making hose connections blow out all hoses to remove foreign materials. Connect air hose to air inlet on cylinder. Attach fluid hose to fluid body; tighten securely. Adjust air and fluid pressure as necessary.

### IMPORTANT:

To prevent fluid from getting into air line, fluid tank pressure must always be lower than atomizing pressure.

### OPERATION:

Open air control valve for testing spray gun and make adjustments for proper coating. The U-3178 Fluid Adjusting Nut controls the stroke of the needle which regulates flow of material through the fluid tip. Adjust counter-clockwise for more material. After proper settings have been determined tighten 59-56 Lock Screw to insure uniform results. After each use, fluid lines should be thoroughly flushed out, aircap removed and cleaned. Replace aircap to protect fluid tips. Oil piston leathers occasionally to keep soft and pliable to insure free easy movement. The U-873E Piston Assembly is designed to provide quick adjustment for various pressures by setting the U-2965 Needle Chuck on the A-U-4B Needle. Lines on the needle indicate operation at 30, 40, or 50 pounds pressure. After setting has been made, tighten U-2544 Locknut securely.

**WARNING:** Spray materials may be harmful if inhaled or allowed to come into contact with the skin or eyes. Consult the product label and Material Safety Data Sheet supplied for the spray material. Follow all safety precautions.  
**CAUTION:** Well Ventilated Area Required to remove fumes, dust or overspray. Secure airhose and fluid hose wrench tight for safety and to prevent leaks.  
**Maximum Air Pressure 100 P.S.I.**  
**Maximum Fluid Pressure 45 P.S.I.**

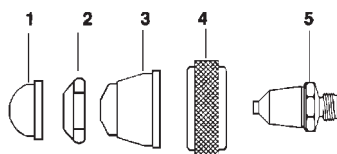
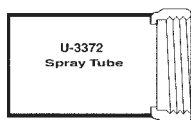
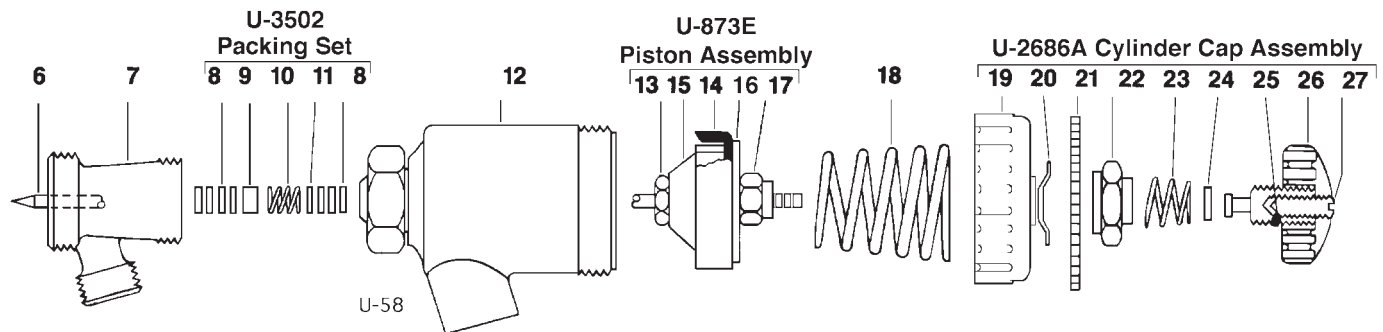
The Needle Packing Chamber is equipped with a compression packing spring to insure a tight seal. The specially treated U-28-12 Packing Washers should be lubricated once a month with oil. Packing Washers will last if properly lubricated and not soaked in solvent. Packing washers should be replaced when worn, dried out or causing leakage of air or fluid.

1. Disconnect spray gun from air supply; detach fluid body by unscrewing U-58 Nut and remove BU-7B Fluid Body.
2. To replace U-28 Packing Washers, use hooked wire or similar tool to remove U-29, U-203 and U-28-12.
3. Insert (4) new U-28 Packing Washers to fluid body and (3) or (4) in the cylinder. Insert enough so that spring will compress them to form an airtight seal. Reassemble.
4. After reassembly the needle action should be tested by hand. The needle should slide through packings without undue binding. Make sure all connections are secure.

**NOTE:** To protect fluid tip and needle from damage...

1. Remove U-2686A Cylinder Cap Assembly before replacing tip.
2. Back-off U-3178 Fluid Adjusting Knob a minimum of five turns before replacing U-1914B Cylinder Cap Assembly.

### U-1914B Cylinder Assembly (Includes stems 6, 8 and 11)



- |  |   |
|--|---|
| 1. <b>UIF-4-045</b> Slotted Aircap             | 14. <b>U-322</b> Cup Leather †              |
| 2. <b>AU-16</b> Aircap Nut                     | 15. <b>U-2964</b> Inner Bushing             |
| 3. <b>BRA-.149</b> Aircap Body                 | 16. <b>U-2465A</b> Outer Disc               |
| 4. <b>BU-12</b> Aircap Nut                     | 17. <b>U-2544</b> Locknut                   |
| 5. <b>U-4</b> Fluid Tip                        | 18. <b>U-2966</b> Piston Spring (By Itself) |
| 7. <b>BU-7B</b> Fluid Body                     | <b>U-2686A Cylinder Cap Assembly</b>        |
| 8. <b>U-28-12</b> Packing Washers (12) †       | 19. <b>U-2707A</b> Cylinder Cap             |
| 9. <b>U-29</b> Packing Gland †                 | 20. <b>U-941</b> Spring Washer              |
| 10. <b>DU-30</b> Spring †                      | 21. <b>U-951B</b> Fluid Dial                |
| <u>U-3502 Packing Set - includes items (†)</u> |   |
| <b>U-1914B Cylinder Assembly</b>               |   |
| 11. <b>U-203</b> Gland †                       | 22. <b>U-2675A</b> Friction Nut             |
| 8. <b>U-28-12</b> Packing Washers (12) †       | 23. <b>U-1098</b> Spring                    |
| 12. <b>U-1907B</b> Shell Assembly              | 24. <b>U-2584P</b> Stop Washer              |
| 6. <b>A-U-4B</b> Needle (Blunt Point)          | 25. <b>59-57</b> Lock Stud                  |
| <b>U-873E Piston Assembly</b>                  | 26. <b>U-3178</b> Fluid Adjusting Knob      |
| 13. <b>U-2965</b> Needle Chuck                 | 27. <b>59-56</b> Lock Screw                 |

NOTE: U-28-12 Packing Washers sold only by the dozen.

**Paasche Airbrush Company**  
4311 North Normandy Avenue  
Chicago, IL 60634-1395  
Phone: 773-867-9191 • Fax: 773-867-9198  
Website: paascheairbrush.com  
E-Mail: info@paascheairbrush.com