

FP-1/32" Flow Pencil

OPERATING INSTRUCTIONS & REPLACEMENT PARTS

WARNING: Striping materials may be harmful if inhaled or allowed to come into contact with the skin or eyes. Consult the product label and Material Safety Data Sheet supplied for the spray material. Follow all safety precautions.
CAUTION: Well Ventilated Area Required to remove fumes.



Comes with LN-1/32"(Assembled) and LN-1/64", 3/64", and 1/16" Nibs loose
Total Length of Flow Pencil is 5 -1/2 inches.
HAPK Kit comes with one size nib only

INTRODUCTION:

The **FP-1/32" Flow Pencil** is used extensively by Designers, Sculptors, Hobbyists, Crafters, Ceramicists, Artists, Bakers, Furniture Manufacturers, and others to beautify their products. The Flow Pencil is easy to control and operate.

MIXING COLORS:

1. Proper mixing of colors is essential for continuous and uninterrupted striping.
2. Mix colors into a free flowing consistency, strain to remove any lumps.
3. Do not mix color in cup of Flow Pencil, use a separate container and pour into cup only when color flows freely.
4. Increase color to heavier consistency for wider stripes.

COLOR ADJUSTMENTS:

1. Remove **MU-20 Cover**, and pour premixed free flowing color into cup, then replace cover.
2. If necessary, blow thru the vent hole located in the center of the **MU-20 Cover** to start flow of heavier materials the first time, after which color should feed freely by gravity. If it does not flow it is too heavy.
3. Turning the **N-20 Adjusting Screw** will control the stroke of the **MU-65 Finger Lever Assembly** which controls the flow of color.

OPERATION:

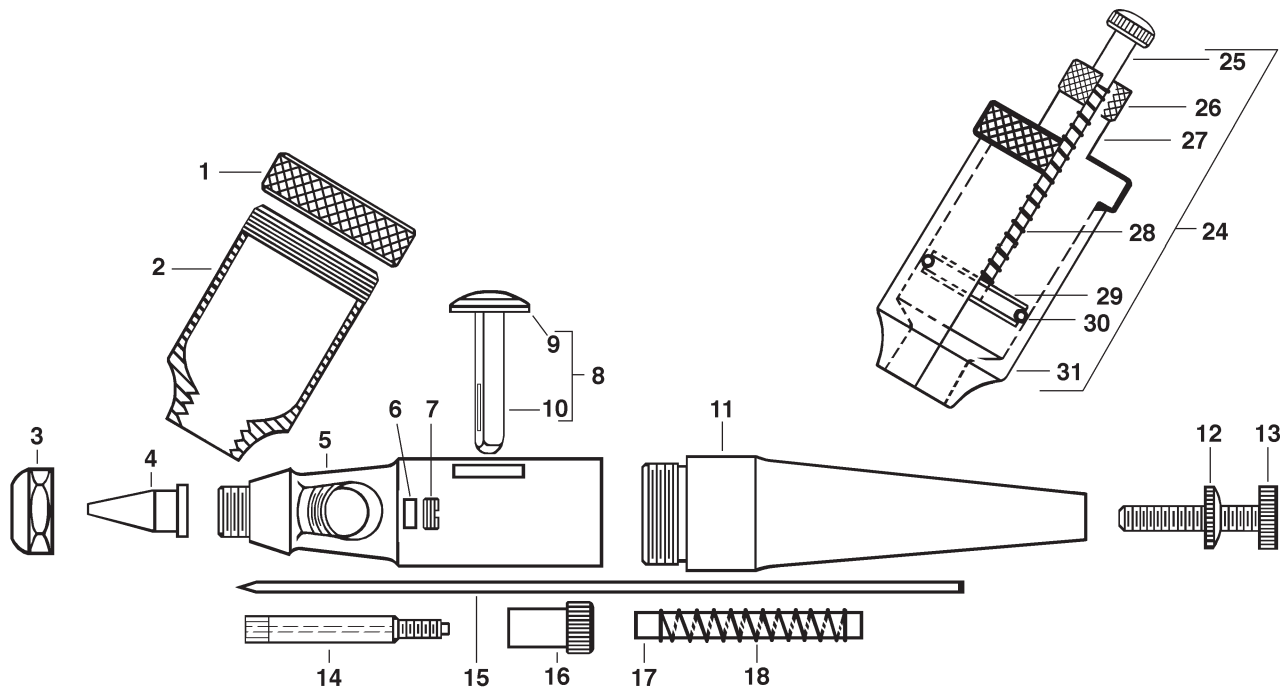
1. Hold the **FP-1/32" Flow Pencil** in your hand as you would a pencil or brush and place your finger lightly over the **MU-65 Finger Lever**. When ready to stripe, pull back on the **MU-65 Finger Lever**. The Flow Pencil should be moved in a backward motion (away from the paint) after the color has begun to flow, never push it into the paint.
2. Regulate the flow to the desired feed rate by turning **N-20 Adjusting Screw**.
3. Keep vent hole in the **MU-20 Cover** open.
4. Practice striping before working on finished product.
5. Correct adjustment of controls and skill of operation will result in uninterrupted and continuous striping.

CARE AND CLEANING:

1. Before storing FP-1/32" Flow Pencil clean it thoroughly. Empty remaining color from the cup and rinse it with solvent. Pull back on the MU-65 Finger Lever and allow solvent to flow through cup, shell and nib.
2. If color has hardened in hole of nib use a tooth pick or needle dipped in solvent to remove accumulation.
3. MU-49 Needle is held in position by MU-57 Needle Chuck and VL-141 Locknut. Remove the needle by unscrewing the MU-64 Handle and removing the spring. Loosen the VL-141 Locknut and then remove the needle for cleaning.

PRESSURE CUP APPLICATION (CUP NOT INCLUDED)

The **ALP-32 Pressure Cup** can be used for heavy consistency colors for embossed or raised lines. A power plunger pressurizes the liquid for color feed that is more consistent with heavier materials.



**FP-1/32" FLOW PENCIL (WITH EXTRA NIBS: LN-1/64", 3/64" AND 1/16")
HAPK KIT comes with one size nib only**

Nibs are grooved as follows:

LN-1/64" has one (1) groove

LN-1/32" has two (2) grooves

LN-3/64" has three (3) grooves

LN-1/16" has four (4) grooves

<u>No.</u>	<u>Part No.</u>	<u>Description</u>	<u>No.</u>	<u>Part No.</u>	<u>Description</u>
1	MU-20	Cover (only)	16	VL-141	Locknut
2	MU-21	Cup (only) Aluminum	17	MU-60	Needle Stop Tube
3	MU-9	Tip Nut	18	VL-140	Spring
4	LN-1/32"	Nib (1/64", 3/64" & 1/16" Sizes)			
5	MU-48	Shell Assembly			
6	MU-61	Packing Washer			
7	MU-62	Packing Nut			
8	MU-65	Finger Lever Assembly			
9	VL-135A	Button			
10	MU-63	Rocker Shaft			
11	MU-64	Handle			
12	N-21	Locknut			
13	N-20	Adjusting Screw			
14	MU-57	Needle Chuck			
15	MU-49	Needle			
<u>Optional Accessories</u>					
24	ALP-32	Pressure Cup	25	MU-25	Rod & Cap Assembly
26	MU-69	Nut	27	MU-67	Cover (only)
28	MU-26	Spring	29	MU-70	Piston
29	MU-70	Piston	30	MT-21	"O" Ring
30	MT-21	"O" Ring	31	MU-21	Cup (only) Aluminum